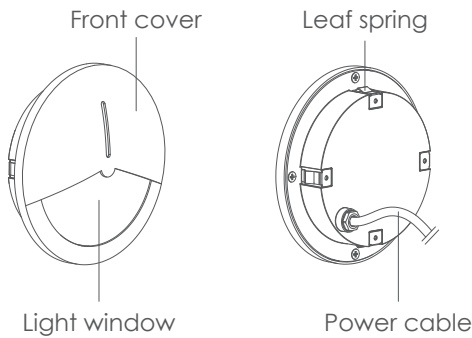


D7KT3032

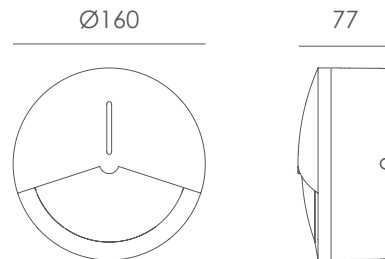
Surface Mounting Wall Light

1. Exterior details

1.1 Luminaire



1.2 Dimension (mm)



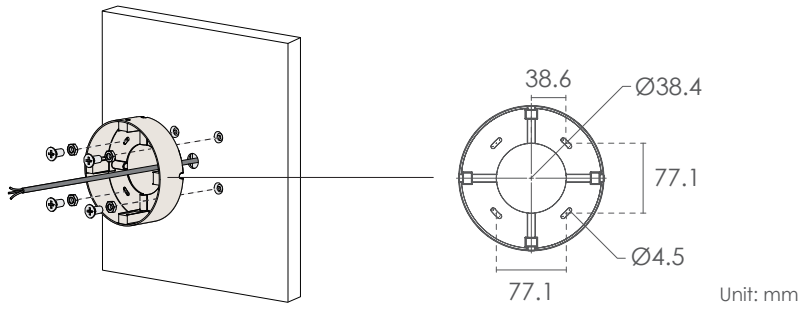
2. Datasheet

| | |
|-------------------------------|---|
| Housing: | 12# Die-casting aluminum finishing or powder painting T=60-80 μ m. Adhesion of ISO class 1/ASTM class 4B |
| Light Window: | UVstop & Fireproof PC T=2.5mm |
| Gasket: | Tooling shaped seal |
| Driver: | Constant voltage input, constant current output |
| Operating Temperature: | -20°C~40°C |
| Power Cable: | H05RN-F 3 \times 1.0mm ² , L=0.3m |

| | |
|-------------------------------|-------------------|
| Light Source: | 30 \times 0.07W |
| Input Voltage(v): | 240 |
| Operating Current(mA): | 14 |
| Consumption(w): | 3.2 |
| Luminance(lm): | 87 |
| IK: | 09 |

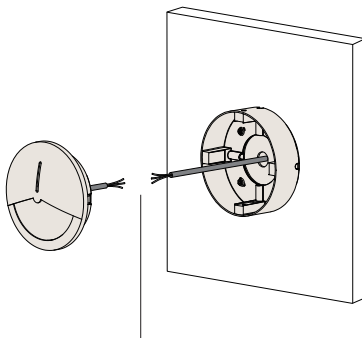
3. Concealed Wiring Installation

Step 1



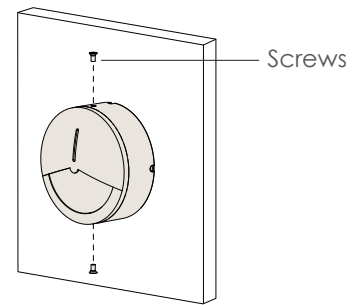
Secure the wall bracket

Step 2



Connect the power cable

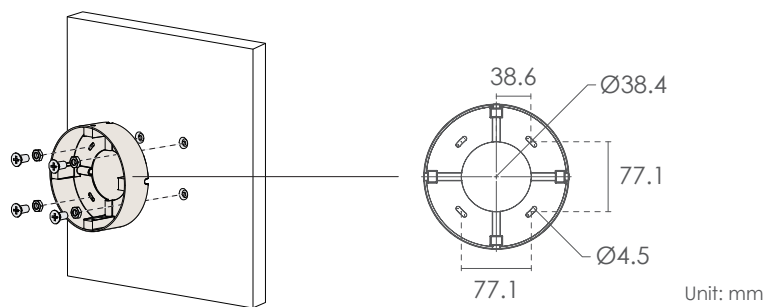
Step 3



Install the light fixture on the wall

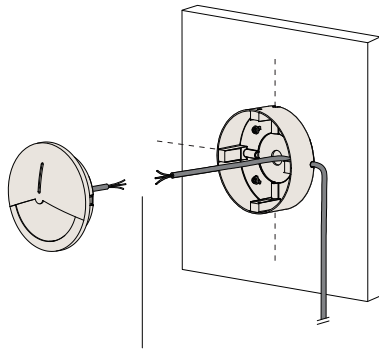
4. Open Wiring Installation

Step 1



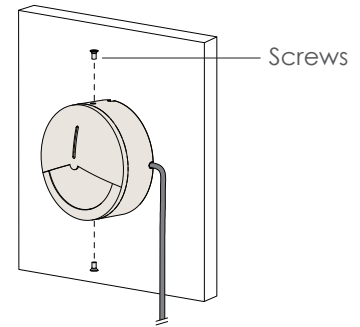
Secure the wall bracket

Step 2



Connect the power cable

Step 3



Install the light fixture on the wall

Kapego company limited

TEL:+86 076983997830
Email:sales@kapego.com
Website:www.kapego.com
East changle Road, Yuning industrial district.
Hengli, Dongguang, guangdong, China 523478

