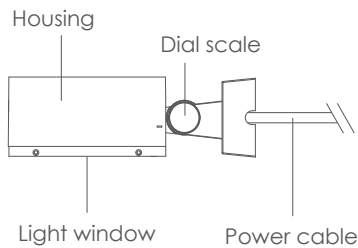


B7FMH0958

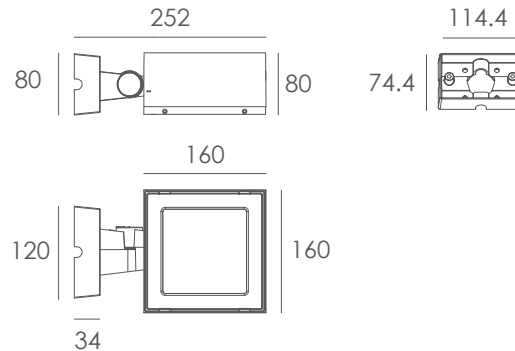
Surface Mounting Wall Light

1. Exterior details

1.1 Luminaire

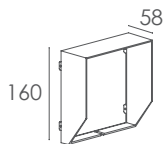


1.2 Dimension (mm)

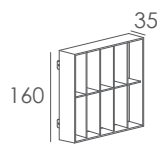


1.3 Accessories (Optional)

Bevel cut hood



Anti glare louver



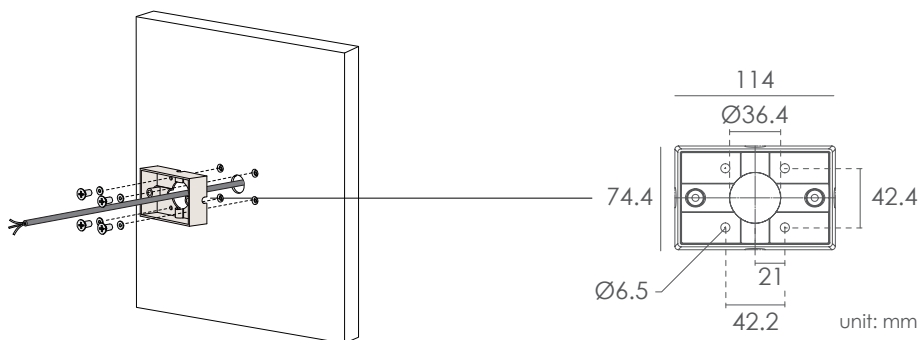
2. Datasheet

Housing:	12# Die-casting aluminum finishing or powder painting T=60-80μm. Adhesion of ISO class 1/ASTM class 4B
Light Window:	Tempered glass.T=3mm
Cable Gland:	IP68 PG-9 PA66
Gasket:	Tooling shaped seal
LED Driver:	Constant voltage input, constant current output
Operating Temperature:	-20°C~40°C
Power Cable:	H05RN-F 3×1.0mm ² , L=0.3m

Light Source:	9×3W
Beam Angle:	9°
Input Voltage(v):	240
Operating Current(mA):	133
Consumption(w):	30
Luminance(lm):	2632
IK:	06

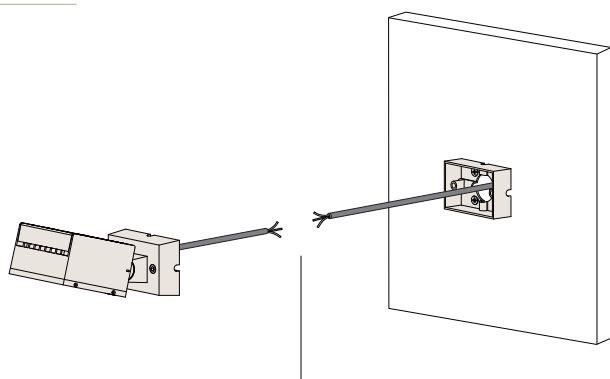
3. Concealed Wiring Installation

Step 1



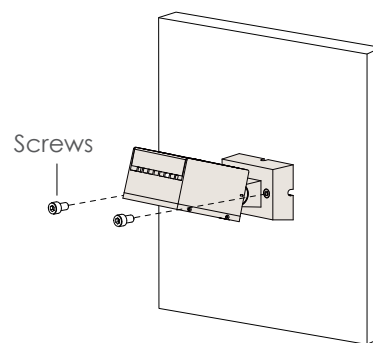
Secure the wall bracket

Step 2



Connect the power cable

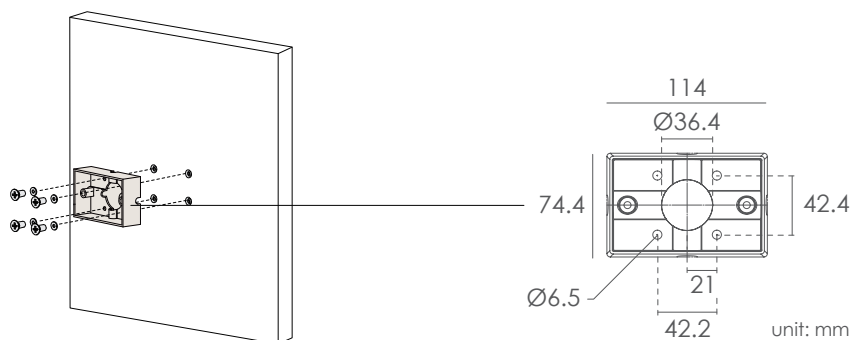
Step 3



Install the light fixture on the wall

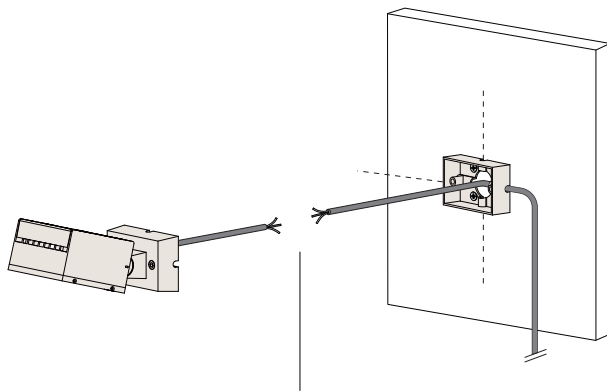
4. Open Wiring Installation

Step 1



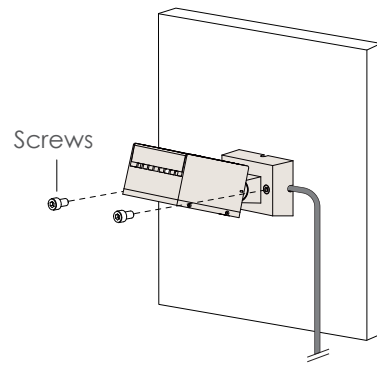
Secure the wall bracket

Step 2



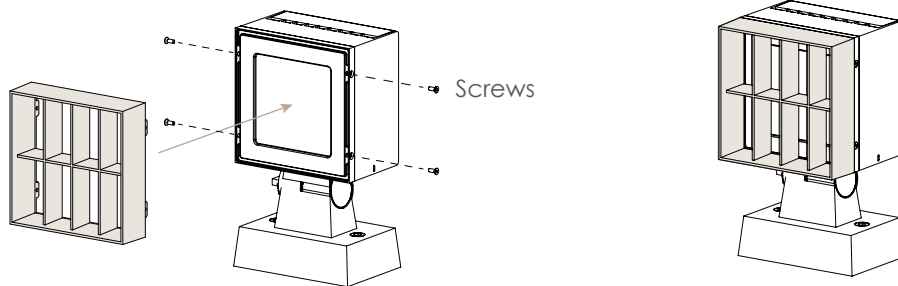
Connect the power cable

Step 3



Install the light fixture on the wall

5. Accessories assemble



Kapego company limited

TEL:+86 076983997830
FAX:+86 076983997833
Email:sales@kapego.com
Website:www.kapego.com
East changle Road, Yuning industrial district.
Hengli, Dongguang, guangdong, China 523478

