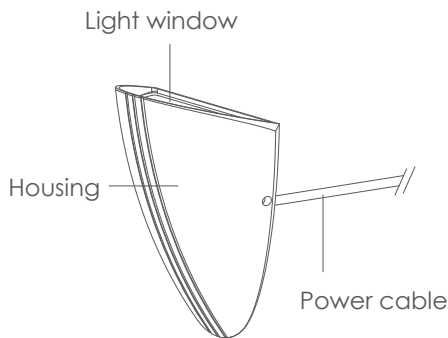


B7BC0166

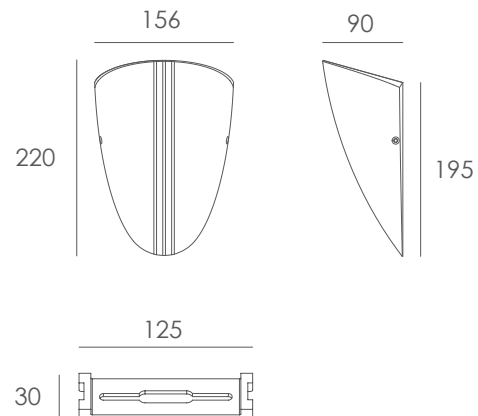
Surface Mounting Wall Light

1. Exterior details

1.1 Luminaire



1.2 Dimension (mm)



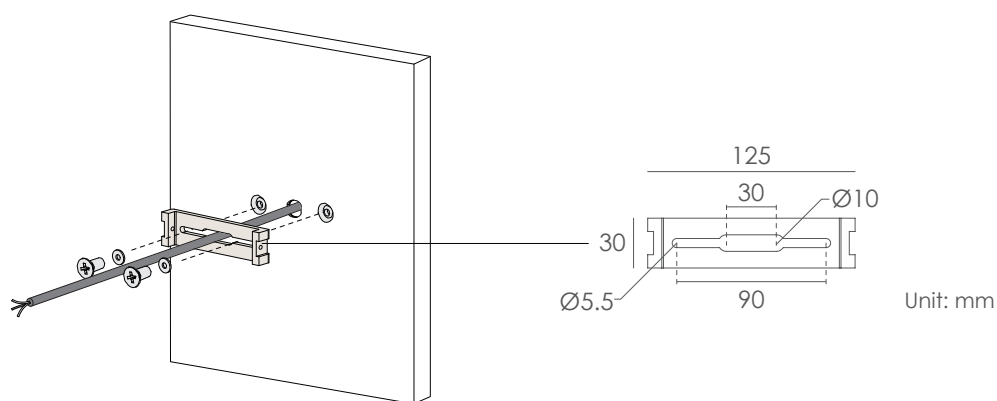
2. Datasheet

Housing:	12# Die-casting aluminum finishing or powder painting T=60-80μm. Adhesion of ISO class 1/ASTM class 4B
Light Window:	Tempered glass. T=3.5mm
LED Driver:	Constant Voltage Input, Constant Current Output
Operating Temperature:	-20°C~40°C
Power Cable:	H05RN-F 3×1.0mm ² , L=0.3m

Light Source:	1×6W
Beam Angle:	10°
Input Voltage(v):	240
Operating Current(mA):	61
Consumption(w):	8.3
Luminance(lm):	444
IK:	05

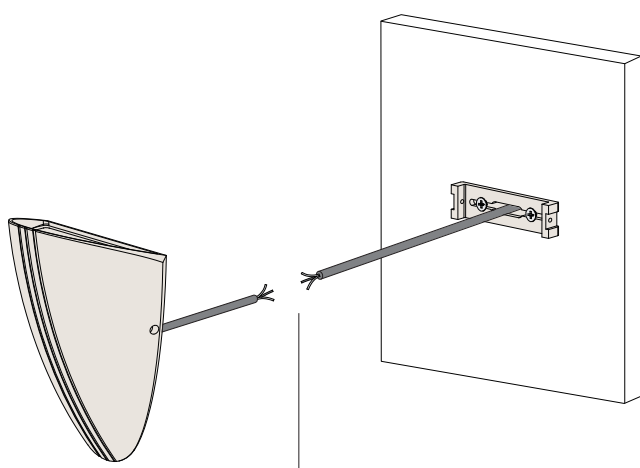
3. Installation steps

Step 1



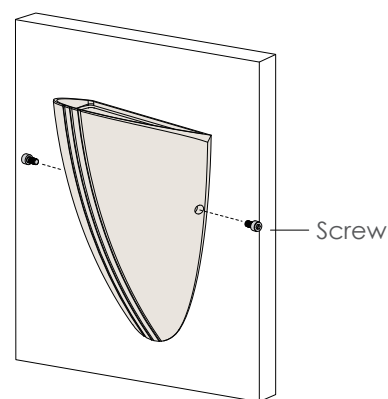
Secure the wall bracket

Step 2



Connect the power cable

Step 3



Install the light fixture on the wall

Kapego company limited

TEL: +86 076983997830
Email: sales@kapego.com
Website: www.kapego.com
East changle Road, Yuning industrial district.
Hengli, Dongguang, guangdong, China 523478

