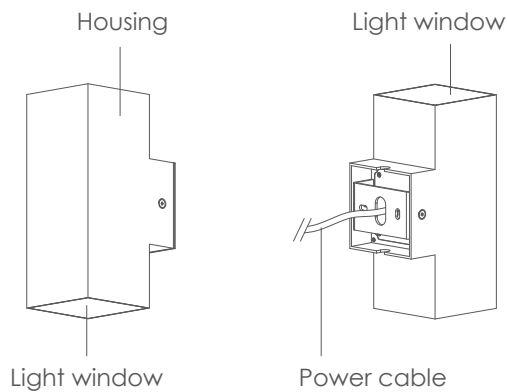


R7WF0229 A

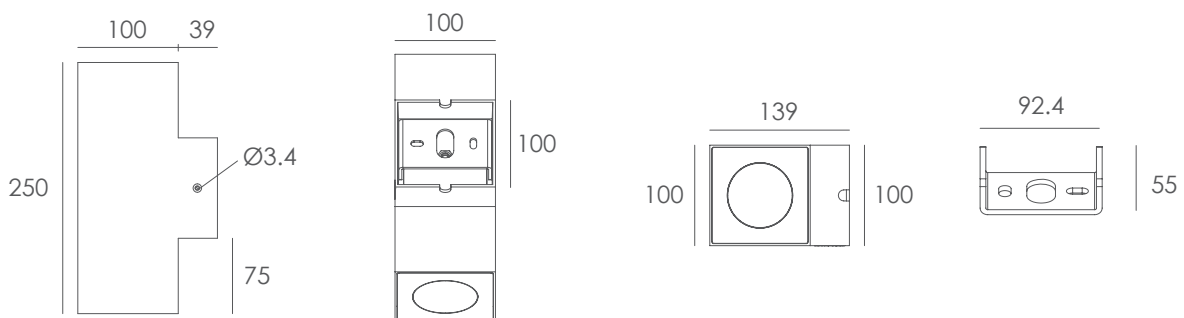
Surface Mounting Wall Light

1. Exterior details

1.1 Luminaire



1.2 Dimension (mm)



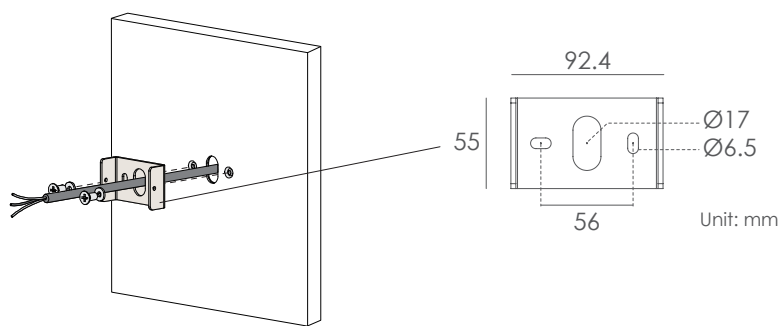
2. Datasheet

Housing:	12# Die-casting aluminum finishing or powder painting T=60-80 μ m. Adhesion of ISO class 1/ASTM class 4B
Light Window:	PC
Gasket:	Tooling shaped seal
Led Driver:	Constant Voltage Input, Constant Current Output
Operating Temperature:	-20°C-40°C
Power Cable:	H05RN-F 3×1.0mm ² , L=0.3m

Light Source:	2×12W
Beam Angle:	18°
Input Voltage(v):	240
Operating Current(mA):	116
Consumption(w):	26
Luminance(lm):	1204×2
IK:	05

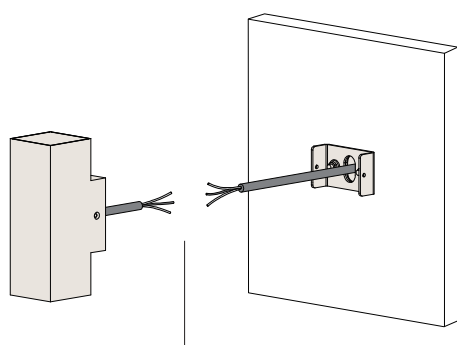
3. Concealed Wiring Installation

Step 1



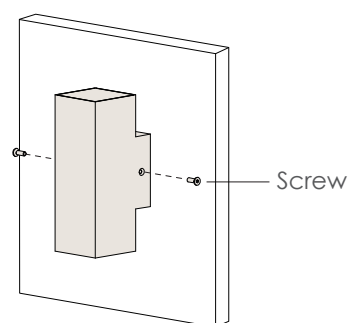
Secure the wall bracket

Step 2



Connect the power cable

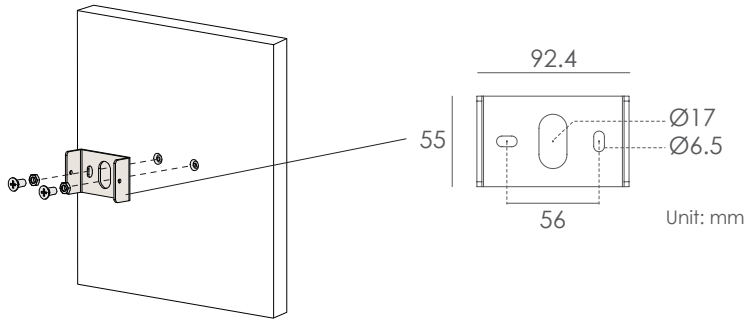
Step 3



Install the light fixture on the wall

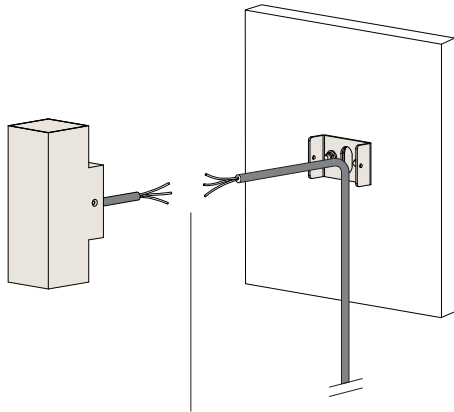
4. Open Wiring Installation

Step 1



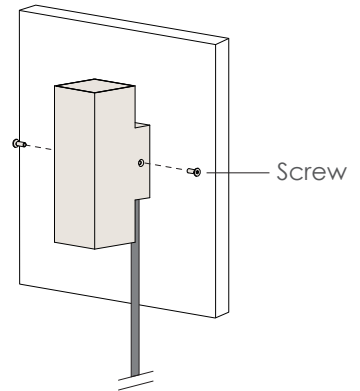
Secure the wall bracket

Step 2



Connect the power cable

Step 3



Install the light fixture on the wall

Kapego company limited

TEL:+86 076983997830
Email:sales@kapego.com
Website:www.kapego.com
East changle Road, Yuning industrial district.
Hengli, Dongguang, guangdong, China 523478

