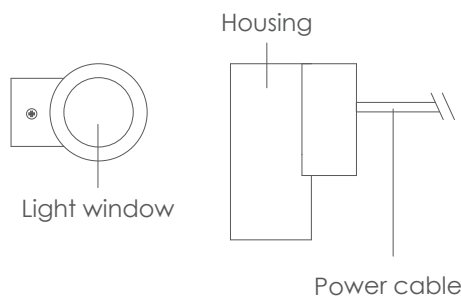


B7AH0168

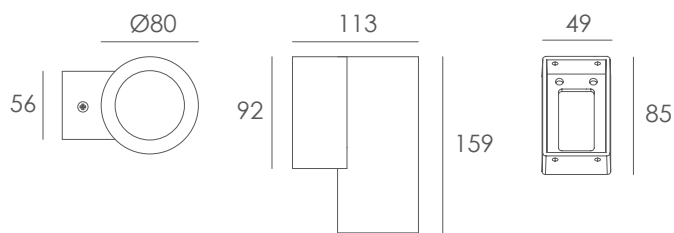
Super Narrow Beam Wall Washer Surface Mounting Wall Light

1. Exterior details

1.1 Luminaire



1.2 Dimension (mm)



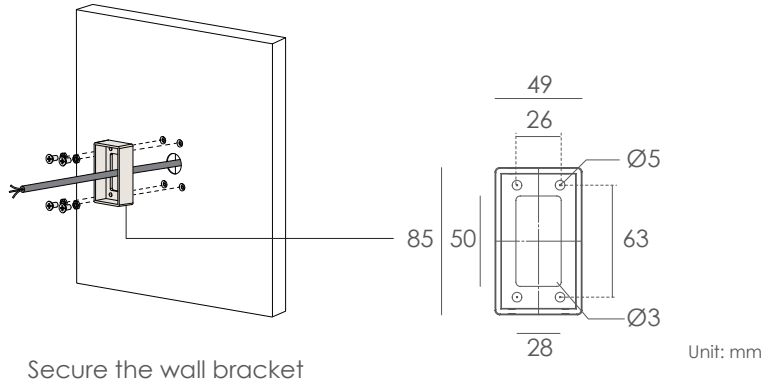
2. Datasheet

Housing:	Extruded aluminum alloy #6063 powder coated T=60-80 μ m. Adhesion of ISO class 1/ASTM class 4B
Light Window:	PMMA T=7.5mm
Gasket:	Tooling shaped seal
Led Driver:	Main voltage 100V-240V built-in driver
Operating Temperature:	-20 $^{\circ}$ C-40 $^{\circ}$ C
Power Cable:	H05RN-F 3 \times 1.0mm ² , L=0.3m

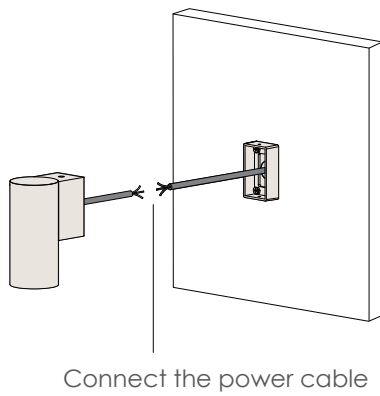
Light Source:	1 \times 10W
Beam Angle:	6 $^{\circ}$
Input Voltage(v):	240
Operating Current(mA):	61
Consumption(w):	13
Luminance(lm):	350
IK:	06

3. Installation steps

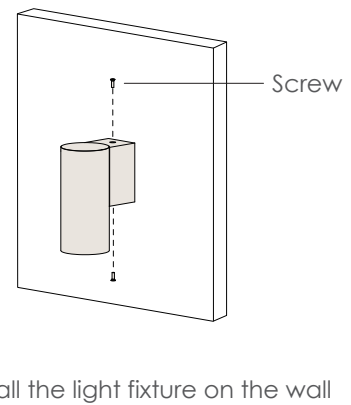
Step 1



Step 2



Step 3



Kapego company limited

TEL:+86 076983997830
Email:sales@kapego.com
Website:www.kapego.com
East changle Road, Yuning industrial district.
Hengli, Dongguang, guangdong, China 523478

