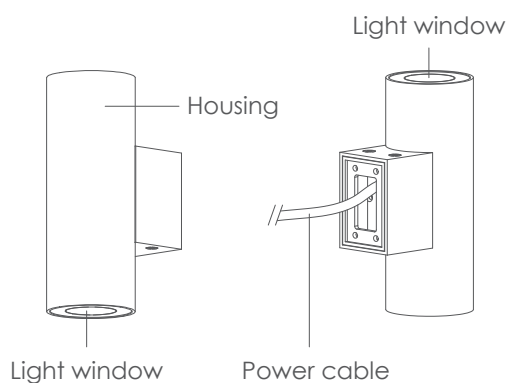


R7CH0270

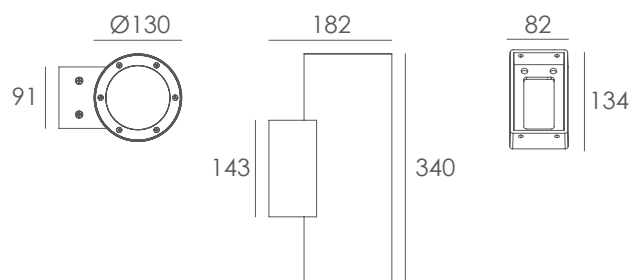
Surface Mounting Wall Light

1. Exterior details

1.1 Luminaire



1.2 Dimension (mm)



2. Datasheet

Housing Material: Extruded aluminum alloy #6063

Painting: Powder coating, T= 60-80 μm .
Adhesion of ISOclass 1/ASTM class 4B

Reflector: OPTICS reflector. efficiency \geq 85%

Operating Temperature: -20°C-40°C

Power Cable: H05RN-F 3 \times 1.0mm², L=0.3m

Light Source: 2 \times 18W

Beam Angle: 22°

Input Voltage(v): 240

Operating Current(mA): 182

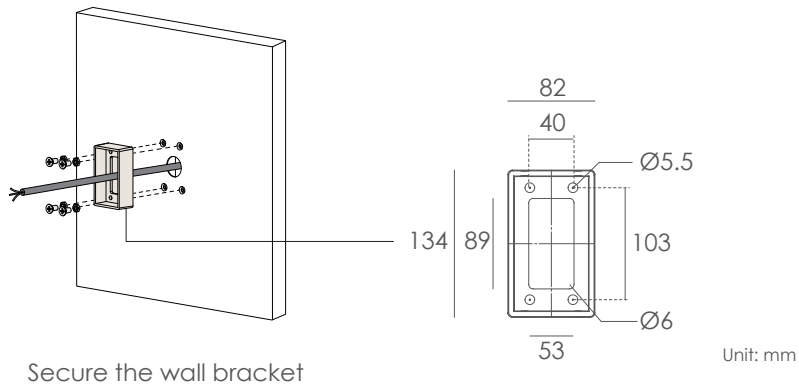
Consumption(w): 42

Luminance(lm): 2036 \times 2

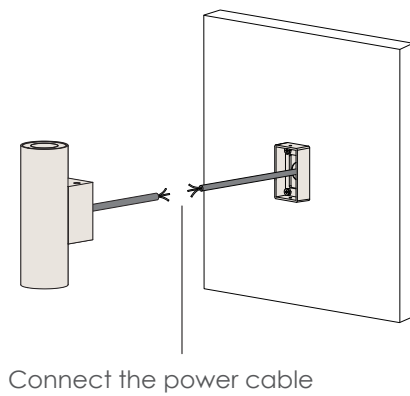
IK: 10

3. Installation steps

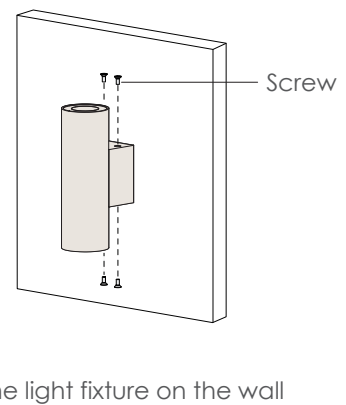
Step 1



Step 2



Step 3



Kapego company limited

TEL:+86 076983997830
Email:sales@kapego.com
Website:www.kapego.com
East changle Road, Yuning industrial district.
Hengli, Dongguang, guangdong, China 523478

