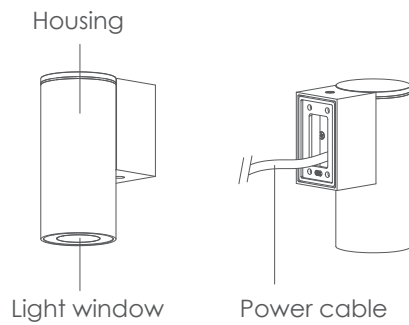


B7DH0124

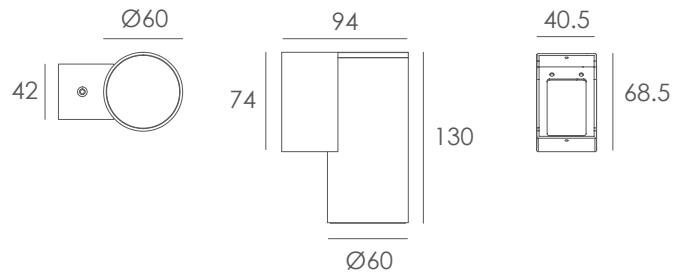
Surface Mounting Wall Light

1. Exterior details

1.1 Luminaire



1.2 Dimension (mm)



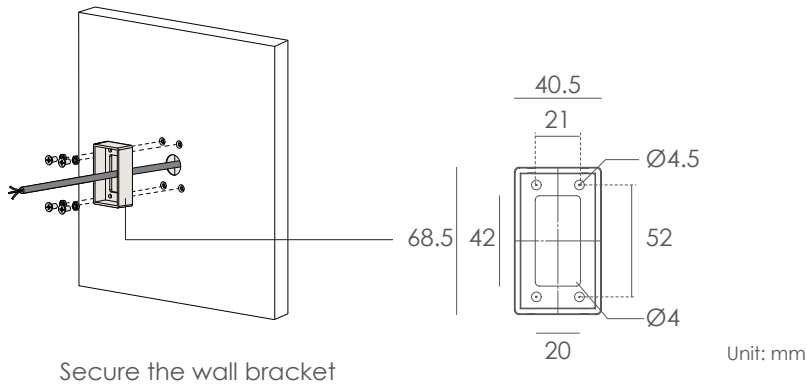
2. Datasheet

Housing Material:	Extruded aluminum alloy #6063
Painting:	Powder coating, T= 60-80 μm . Adhesion of ISOclass 1/ASTM class 4B
Reflector:	OPTICS reflector. efficiency \geq 85%
Operating Temperature:	-20°C-40°C
Power Cable:	H05RN-F 3 \times 1.0mm ² , L=0.3m

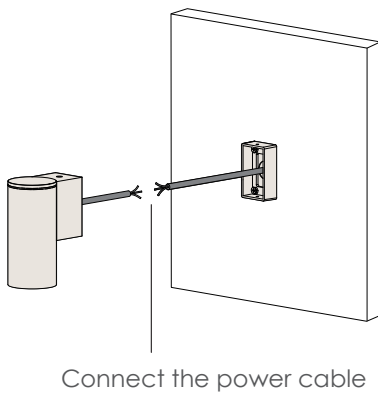
Light Source:	1 \times 4.5W
Beam Angle:	24°
Input Voltage(v):	240
Operating Current(mA):	48
Consumption(w):	6
Luminance(lm):	282
IK:	08

3. Installation steps

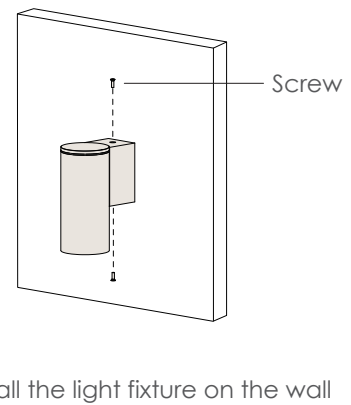
Step 1



Step 2



Step 3



Kapego company limited

TEL:+86 076983997830
Email:sales@kapego.com
Website:www.kapego.com
East changle Road, Yuning industrial district.
Hengli, Dongguang, guangdong, China 523478

