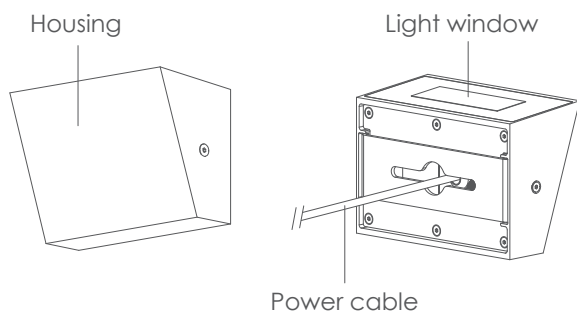


B7FED0656

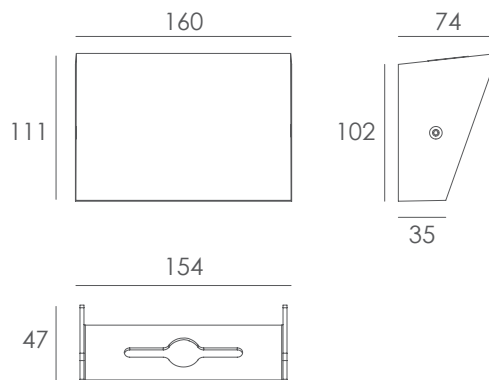
Wall Washer

1. Exterior details

1.1 Luminaire



1.2 Dimension (mm)



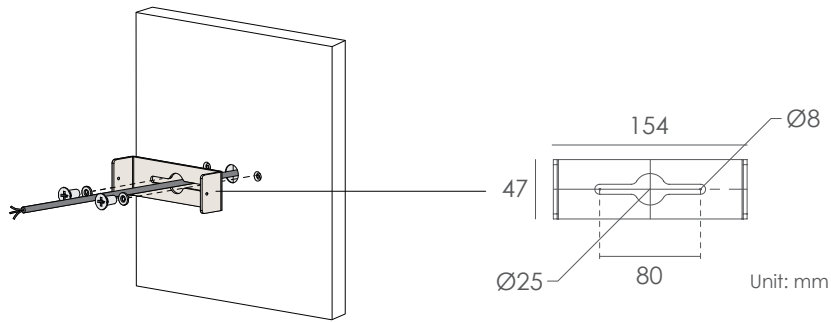
2. Datasheet

Housing:	12# Die-casting aluminum finishing or powder painting T=60-80μm. Adhesion of ISO class 1/ASTM class 4B
Light Window:	Tempered glass T=3mm
Gasket:	Tooling shaped seal
Driver:	Built-in driver
Operating Temperature:	-20°C~40°C
Power Cable:	H05RN-F 3×1.0mm ² , L=0.3m

Light Source:	6×1W
Beam Angle:	40°
Input Voltage(v):	240
Operating Current(mA):	37
Consumption(w):	8
Luminance(lm):	550
IK:	06

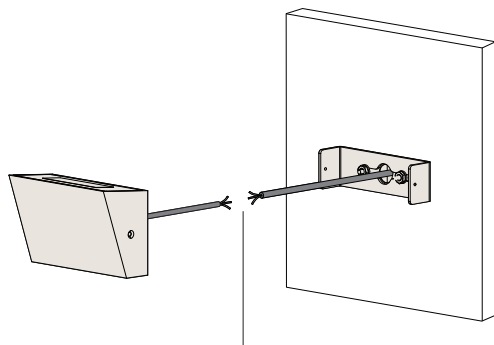
3. Installation steps

Step 1



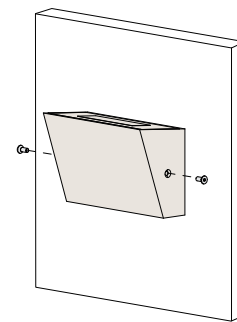
Secure the wall bracket

Step 2



Connect the power cable

Step 3



Install the light fixture on the wall

Kapego company limited

TEL:+86 076983997830
Email:sales@kapego.com
Website:www.kapego.com
East changle Road, Yuning industrial district.
Hengli, Dongguang, guangdong, China 523478

