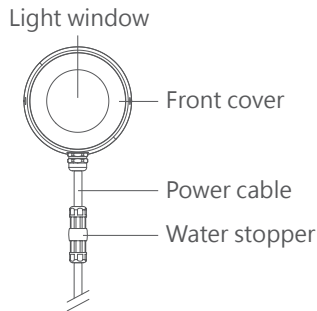


B4CA0458

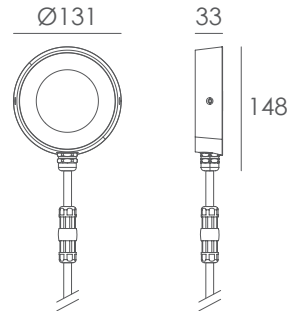
Surface Mounting Pool Light

1. Exterior details

1.1 Luminaire



1.2 Dimension (mm)



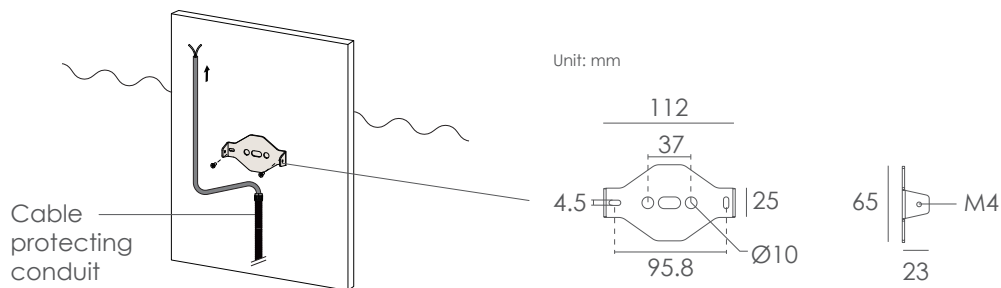
2. Datasheet

Housing:	Hard chromeplated molding shaped stainless steel SUS 316#
Front Cover:	Hard chromeplated stainless steel SUS 316L#
Light Window:	Step Tempered glass. T=8mm
Glass Pressure Capacity:	1,078kgs
Waterproof Seal:	Silicone Gasket
Lens:	Separate optical lens efficiency≥85%
Cable Gland:	IP68 PG-11 copper with nickel-coated
PCB:	Excellent heat conductivity aluminum, coefficient of heat conductivity≥2.0w/mk
LED Driver:	Constant Voltage Input, Constant Current Output
Power Cable Optional:	H07RN-F 2×1.0mm ² with water-stopper, L=3m, 5m
Application Environment:	-20°C~40°C
Built-in Overheat Sensor System:	Automatic Shutdown at 75°C

Light Source:	4×3W
Beam Angle:	24°
Input Voltage(v):	DC 24
Operating Current(mA):	500
Consumption(w):	13.2
Luminance(lm):	1345
IK:	08

3-1. Installation steps — Cable install from the side

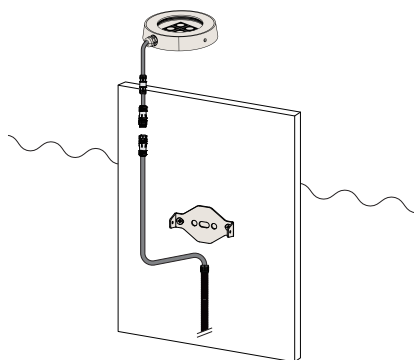
Step 1



Secure the wall bracket

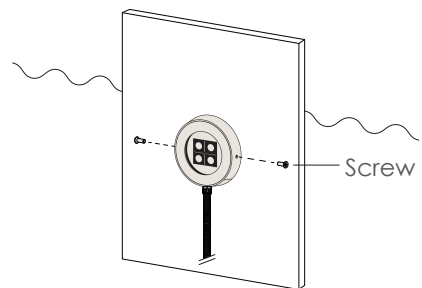
※ Power cable must go above water level

Step 2



Connect the power cable

Step 3

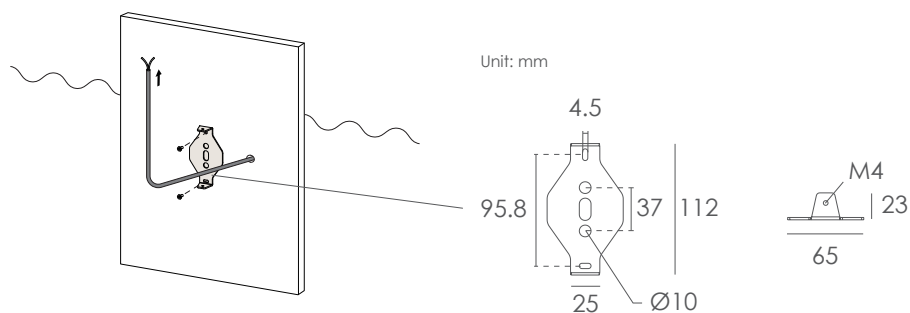


Install the light fixture on the wall

※ Fixture must be fully submerged when turned on to prevent overheating

3-2. Installation steps – Cable install from the back

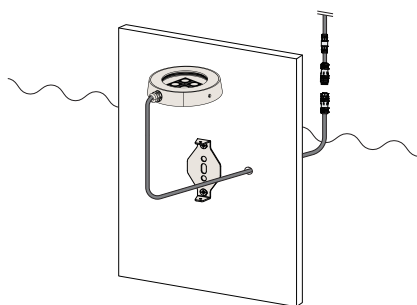
Step 1



Secure the wall bracket

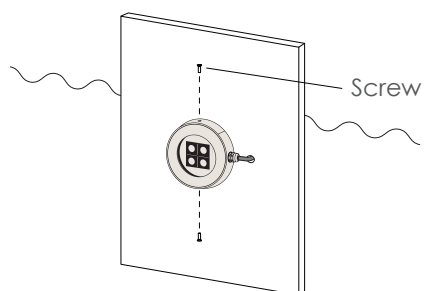
※ Power cable must go above water level

Step 2



Connect the power cable

Step 3



Install the light fixture on the wall

※ Fixture must be fully submerged when turned on to prevent overheating

Kapego company limited

TEL:+86 076983997830
 FAX:+86 076983997833
 Email:sales@kapego.com
 Website:www.kapego.com
 East changle Road, Yuning industrial district.
 Hengli, Dongguang, guangdong, China 523478

