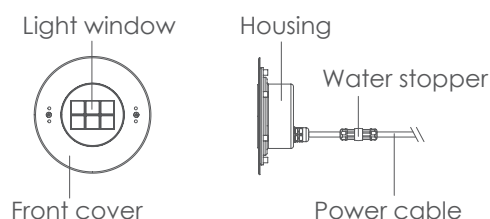


B4YBA0658F

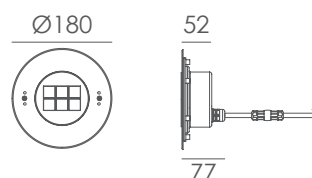
Recessed Pool Light

1. Exterior details

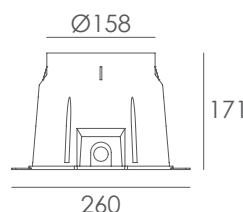
1.1 Luminaire



1.2 Dimension (mm)



1.3 Recessed sleeve (118#)



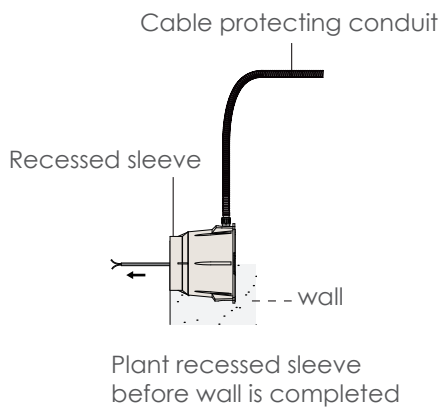
2. Datasheet

Front Cover & Housing:	Hard chromeplated molding shaped stainless steel SUS 316L#
Light Window:	Step tempered glass. T=8mm
Glass Pressure Capacity:	1,926kgs
Cable Gland:	IP68 PG-11 copper with nickel-coated
Gasket:	Silicone gasket
Lens:	All-in-one OPTICS lens, efficiency $\geq 85\%$
PCB:	Excellent heat conductivity aluminum. coefficient of heat Conductivity $\geq 2.0\text{w/mk}$
LED Driver:	Constant Voltage Input, Constant Current Output
Built-in Overheat Sensor System:	Automatic Shutdown at 75°C
Power Cable Optional:	H07RN-F $2 \times 1.0\text{mm}^2$ with water-stopper, L=3m, 5m
Operating Temperature:	$-20^{\circ}\text{C} \sim 40^{\circ}\text{C}$
Recessed Sleeve:	PC/ABS Alloys, with 304 stainless steel bottom plate

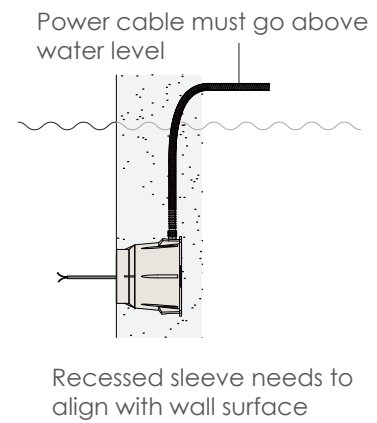
Light Source:	6×3W
Beam Angle:	20°
Input Voltage(v):	DC 24
Operating Current(mA):	1020
Consumption(w):	24.5
Luminance(lm):	1846
IK:	08

3. Installation steps

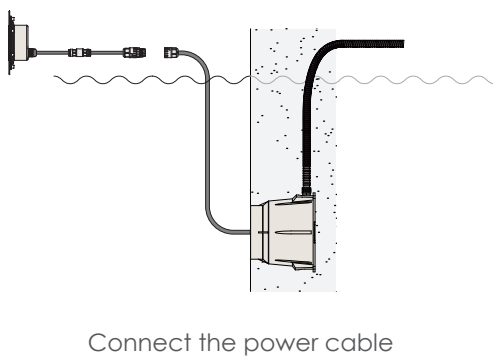
Step 1



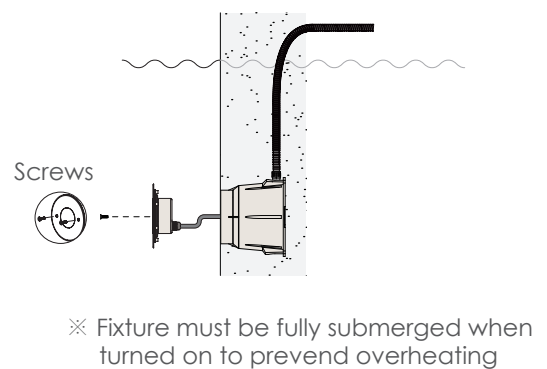
Step 2



Step 3



Step 4



Kapego company limited

TEL:+86 076983997830
 Email:sales@kapego.com
 Website:www.kapego.com
 East changle Road, Yuning industrial district.
 Hengli, Dongguang, guangdong, China 523478

