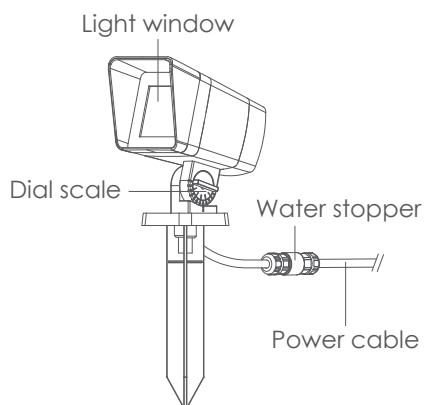


# B3DWB0169

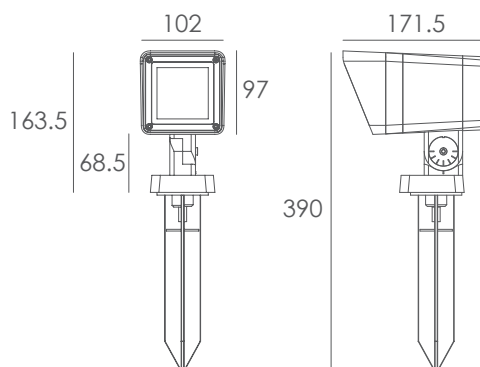
## Garden Light

### 1. Exterior details

#### 1.1 Luminaire

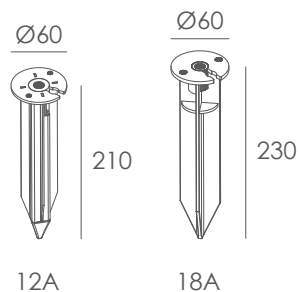


#### 1.2 Dimension (mm)

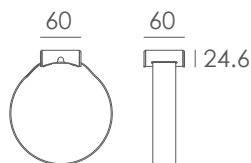


#### 1.3 Optional accessories

##### Spike



##### Tree pole strap



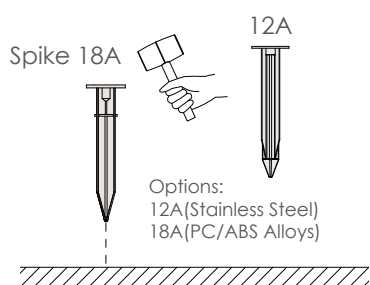
### 2. Datasheet

<b>Housing:</b>	12# Die-casting aluminum finishing or powder painting T=60-80 $\mu$ m. Adhesion of ISO class 1/ASTM class 4B
<b>Light Window:</b>	Tempered glass. T=3mm
<b>Cable Gland:</b>	IP68 PG-9 PA66
<b>Gasket:</b>	Tooling shaped seal
<b>Led Driver:</b>	Constant Voltage Input, Constant Current Output
<b>Operating Temperature:</b>	-20 $^{\circ}$ C~40 $^{\circ}$ C
<b>Power Cable:</b>	H05RN-F 2 $\times$ 1.0mm <sup>2</sup> , L=2.0m

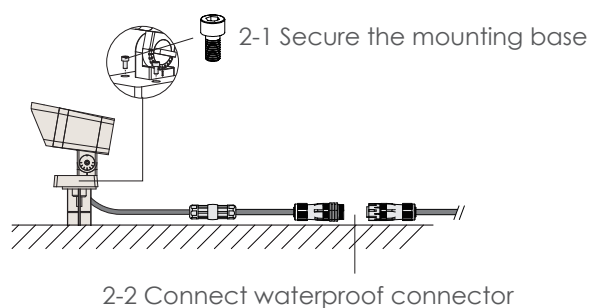
<b>Light Source:</b>	1x14W
<b>Beam Angle:</b>	24°
<b>Input Voltage(v):</b>	DC 24
<b>Operating Current(mA):</b>	795
<b>Consumption(w):</b>	19
<b>Luminance(lm):</b>	1424
<b>IK:</b>	06

### 3. Installation steps

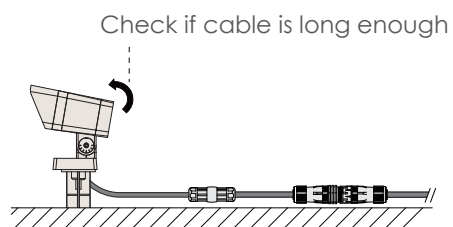
#### Step 1



#### Step 2



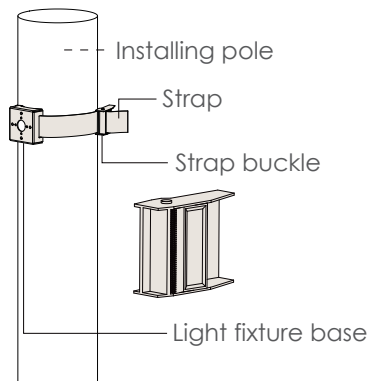
#### Step 3



## 4. Accessories assemble

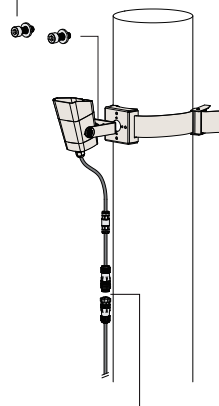
### Tree pole strap

#### Step 1



#### Step 2

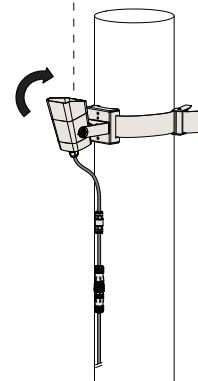
1. Secure the mounting base



2. Connect waterproof connector

#### Step 3

Check if cable is long enough



### Kapego company limited

TEL:+86 076983997830  
Email:sales@kapego.com  
Website:www.kapego.com  
East changle Road, Yuning industrial district.  
Hengli, Dongguang, guangdong, China 523478

