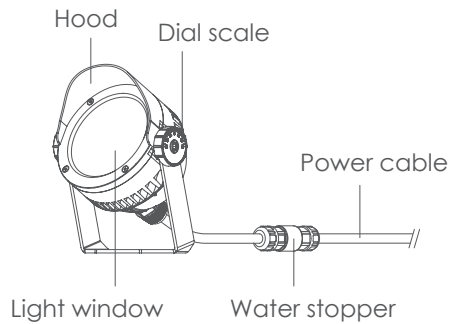


# B3BI0170

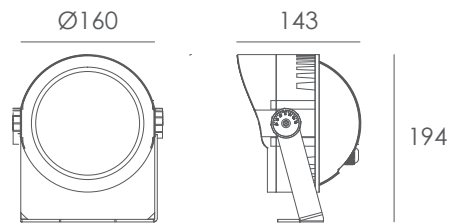
## Garden Light

### 1. Exterior details

#### 1.1 Luminaire

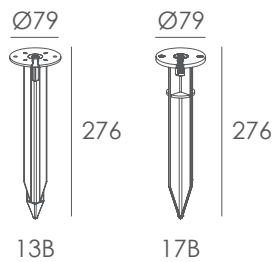


#### 1.2 Dimension (mm)

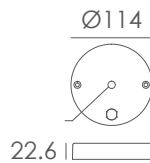


#### 1.3 Optional accessories

##### Spike



##### Round Surface Mounting Base



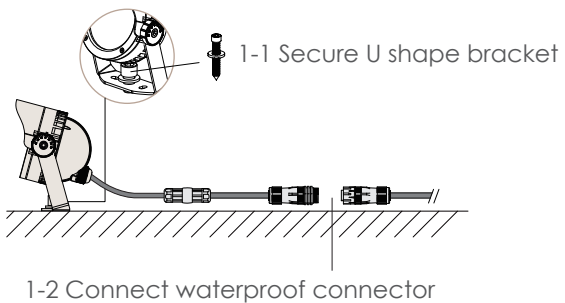
### 2. Datasheet

<b>Housing:</b>	12# Die-casting aluminum finishing or powder painting T=60-80 $\mu\text{m}$ . Adhesion of ISO class 1/ASTM class 4B
<b>Light Window:</b>	Tempered glass. T=4mm
<b>Cable Gland:</b>	IP68 PG-9 PA66
<b>Gasket:</b>	Tooling shaped seal
<b>Lens</b>	All-in-one OPTICS lens, efficiency $\geq 85\%$
<b>Operating Temperature:</b>	-20°C~40°C
<b>Bracket:</b>	Powder coated aluminum
<b>Power Cable:</b>	H05RN-F 2 $\times$ 1.0mm <sup>2</sup> , L=2.0m

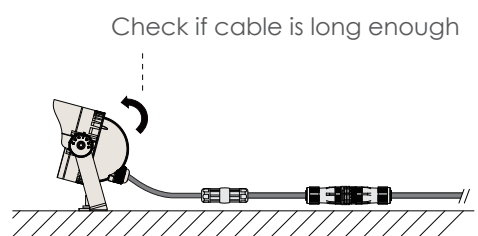
<b>Light Source:</b>	1×18W
<b>Beam Angle:</b>	25°
<b>Input Voltage(v):</b>	DC 24
<b>Operating Current(mA):</b>	940
<b>Consumption(w):</b>	22.56
<b>Luminance(lm):</b>	1800
<b>IK:</b>	07

### 3. Installation steps

#### Step 1



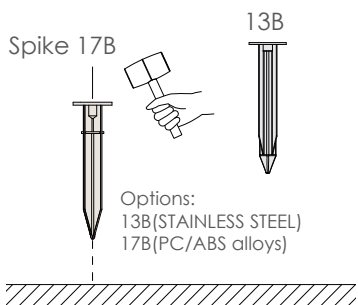
#### Step 2



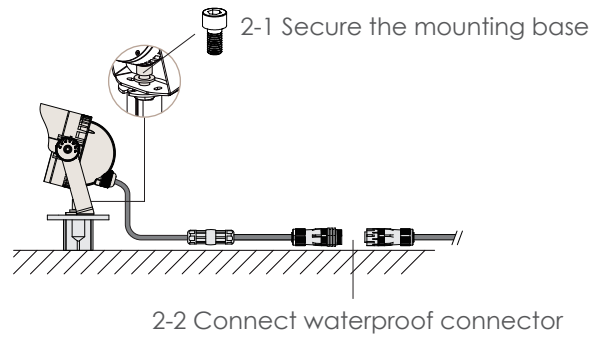
### 4. Accessories assemble

#### 4.1 Spike

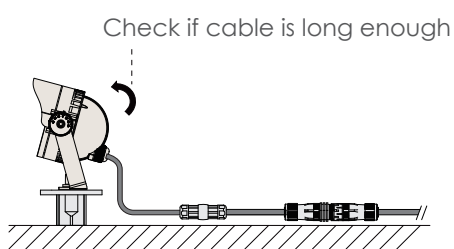
#### Step 1



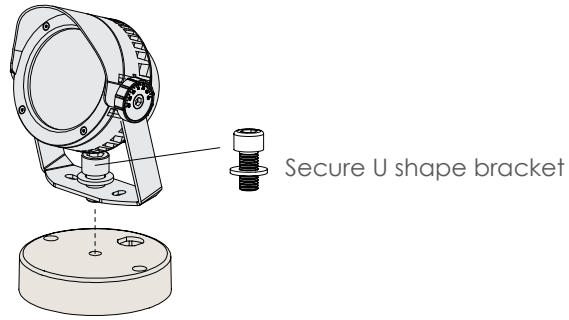
#### Step 2



#### Step 3



## 4.2 Mounting Base



### Kapego company limited

TEL:+86 076983997830  
Email:sales@kapego.com  
Website:www.kapego.com  
East changle Road, Yuning industrial district.  
Hengli, Dongguang, guangdong, China 523478

