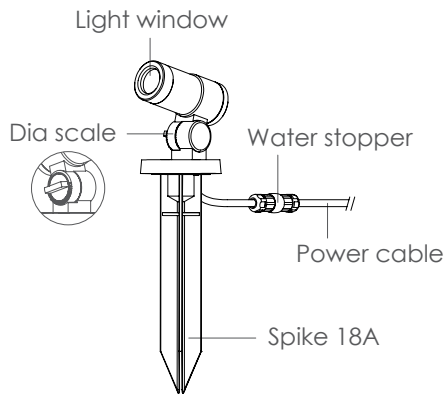


B3TNS0126

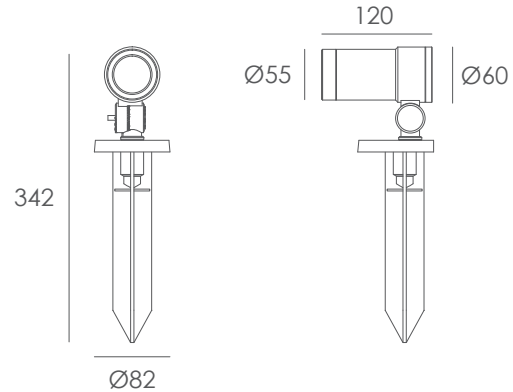
Garden Light

1. Exterior details

1.1 Luminaire

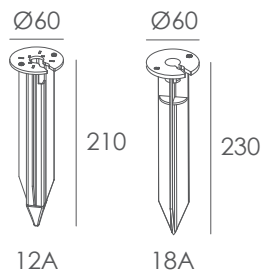


1.2 Dimension (mm)

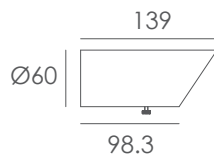


1.3 Optional accessories

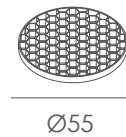
Spike



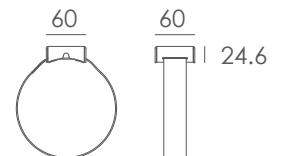
Bevel cut hood



Honeycomb louver



Tree pole strap



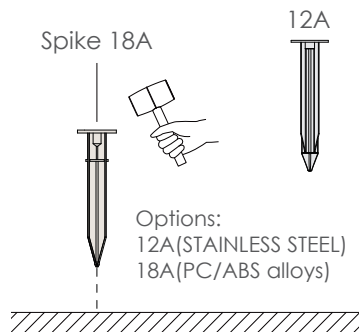
2. Datasheet

Housing:	12# Die-casting aluminum finishing or powder painting T=60-80µm. Adhesion of ISO class 1/ASTM class 4B
Light Window:	Tempered glass. T=4mm
Cable Gland:	Nickel coated copper
Gasket:	Tooling shaped seal
LED Driver:	Constant Voltage Input, Constant Current Output
Lens	OPTICS lens, efficiency ≥85%
Operating Temperature:	-20°C~40°C
Power Cable:	H05RN-F 2×1.0mm ² , L=2.0m

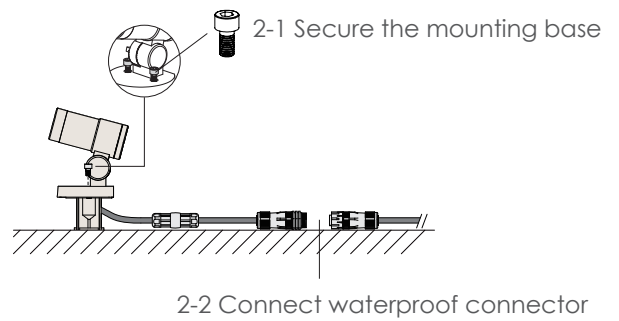
Light Source:	1×6W
Beam Angle:	28°
Input Voltage(v):	DC 24
Operating Current(mA):	325
Consumption(w):	7.8
Luminance(lm):	740
IK:	06

3. Installation steps

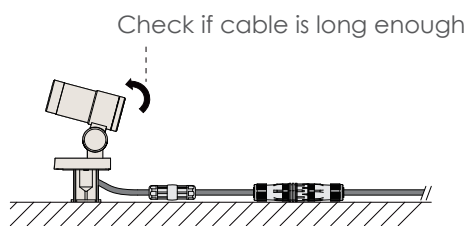
Step 1



Step 2

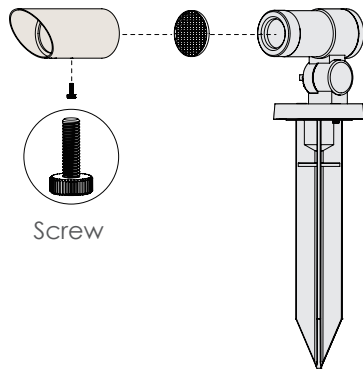


Step 3



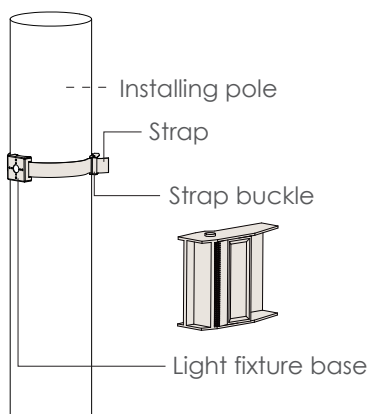
4. Accessories assemble

4.1 Bevel cut hood & Honeycomb louver



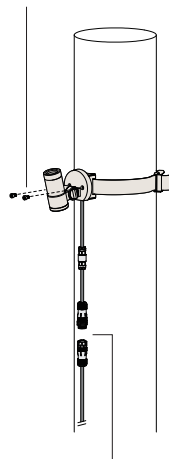
4.2 Tree pole strap

Step 1



Step 2

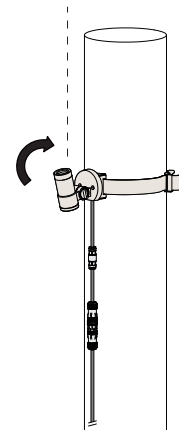
1. Secure the mounting base



2. Connect waterproof connector

Step 3

Check if cable is long enough



Kapego company limited

TEL: +86 076983997830
Email: sales@kapego.com
Website: www.kapego.com
East changle Road, Yuning industrial district.
Hengli, Dongguang, guangdong, China 523478

