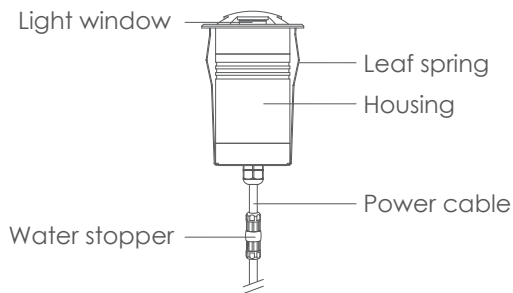


4E2WP0157 PG

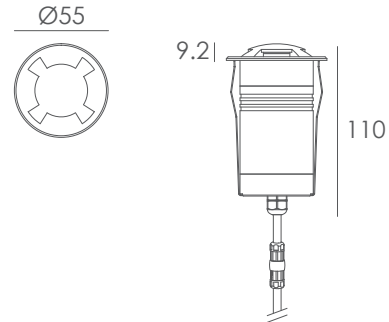
Soft Beam Drive-Over Capacity Inground Light

1. Exterior details

1.1 Luminaire



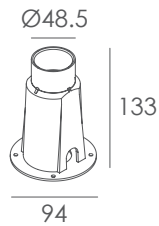
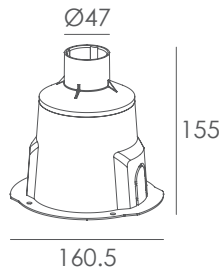
1.2 Dimension (mm)



1.3 Recessed sleeve(Optional)

A08

185#



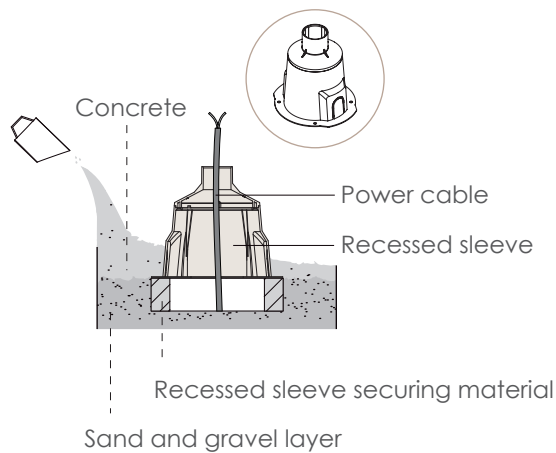
2. Datasheet

Housing:	ADC12# powder coated aluminum T=60-80 μm .Adhesion of ISO class 1/ASTM class 4B
Front Cover:	Hard chromeplated stainless steel SUS 316#
Light Window:	UVstop & Fireproof PC
Gasket:	Silicon rubber molding shaped seal
Power Cable:	H05RN-F 2 \times 1.0mm ² , L=0.5m
Recessed Sleeve Material:	PC/ABS ALLOYS
Glass Pressure Capacity:	2,562kgs
Operating Temperature:	-20 $^{\circ}\text{C}$ ~40 $^{\circ}\text{C}$

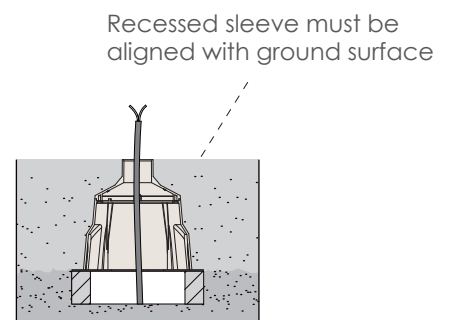
Light Source:	1×2W
Beam Angle:	45°
Input Voltage(v):	DC 24
Operating Current(mA):	110
Consumption(w):	2.6
Luminance(lm):	8.5
IK:	10

3. Installation steps

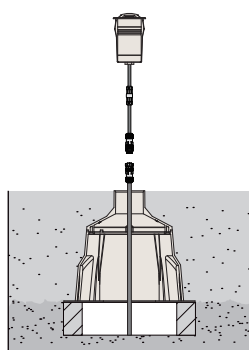
Step 1



Step 2

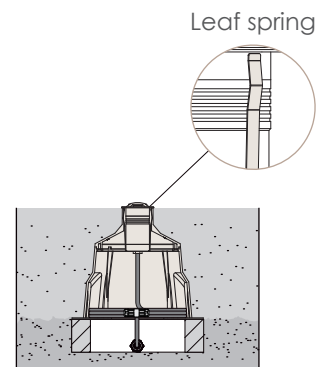


Step 3



Connect the power cable

Step 4



Kapego company limited

TEL:+86 076983997830
 FAX:+86 076983997833
 Email:sales@kapego.com
 Website:www.kapego.com
 East changle Road, Yuning industrial district.
 Hengli, Dongguang, guangdong, China 523478

