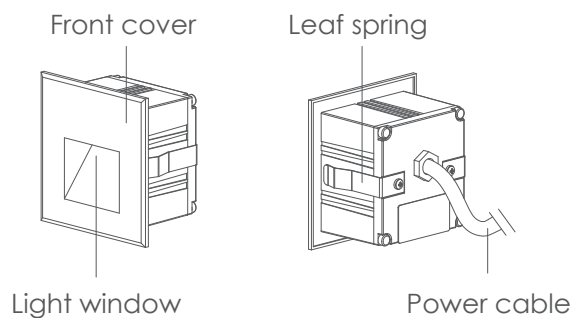


D1GA0334

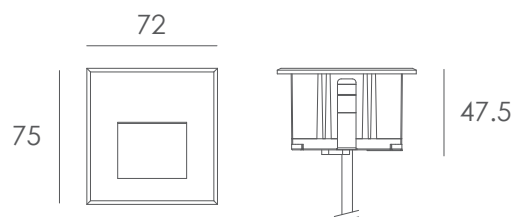
Landscape Recessed Wall Light

1. Exterior details

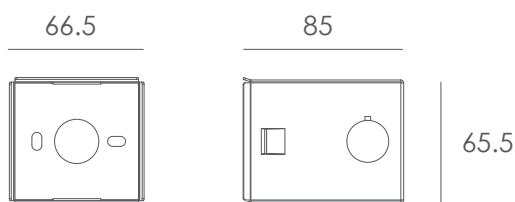
1.1 Luminaire



1.2 Dimension (mm)



1.3 Recessed sleeve (178#)



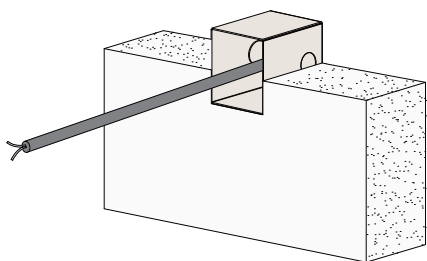
2. Datasheet

Housing & Front Cover:	12# Die-casting aluminum powder coated. T=60-80 μ m. Adhesion of ISO class 1/ASTM class 4B
Light Window:	UVstop & Fireproof PC
Cable Gland:	IP67 copper and nicked coated
Gasket:	Molding shaped silicone seal
LED Driver:	Constant Voltage Input, Constant Current Output
Operating Temperature:	-20 $^{\circ}$ C~40 $^{\circ}$ C
Power Cable:	H05RN-F 2 \times 1.0mm ² , L=0.5m
Recessed Sleeve Material:	PC/ABS ALLOYS

Light Source:	3×0.7W
Input Voltage(v):	DC 24
Operating Current(mA):	110
Consumption(w):	2.6
Luminance(lm):	36
IK:	10

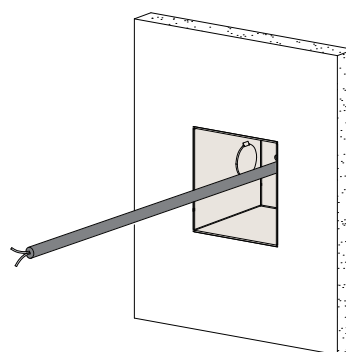
3. Installation steps

Step 1



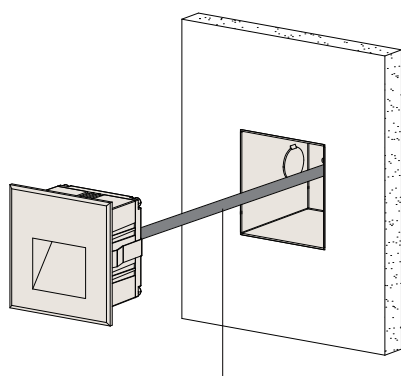
Secure the recessed sleeve

Step 2



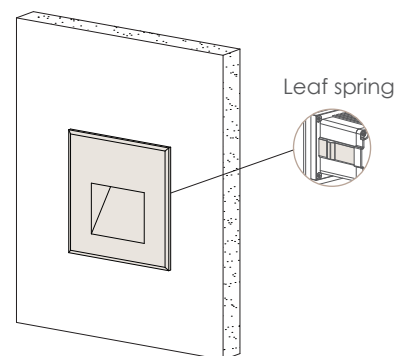
Finish the installation of concrete surface materials

Step 3



Connect the power cable

Step 4



Install the light fixture on the wall

Kapego company limited

TEL:+86 076983997830
 FAX:+86 076983997833
 Email:sales@kapego.com
 Website:www.kapego.com
 East changle Road, Yuning industrial district.
 Hengli, Dongguang, guangdong, China 523478

