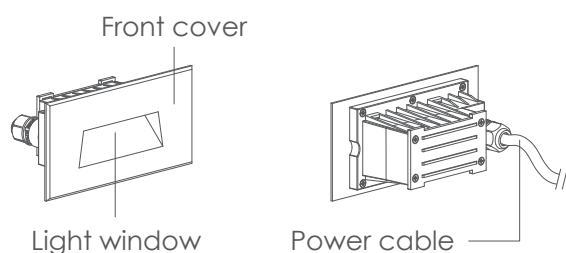


# D1CG0734

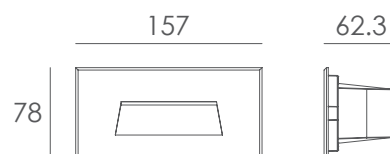
## Landscape Recessed Wall Light

### 1. Exterior details

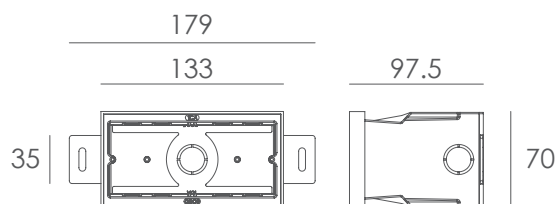
#### 1.1 Luminaire



#### 1.2 Dimension (mm)



#### 1.3 Recessed sleeve (090#)



### 2. Datasheet

#### Front Cover:

12# Die-casting aluminum powder coated  
T=60-80μm. Adhesion of ISO class 1/ASTM class 4B

#### Housing:

12# Die-casting RAL9005 powder coated aluminum  
T=60-80μm. Adhesion of ISO class 1/ASTM class 4B

#### Light Window:

UVstop & Fireproof PC

#### Cable Gland:

IP67 PG-9 PA66

#### Gasket:

Molding shaped silicone seal

#### LED Driver:

Constant Voltage Input, Constant Current Output

#### Operating Temperature:

-20°C~40°C

#### Power Cable:

H05RN-F 3×1.0mm<sup>2</sup>, L=0.5m

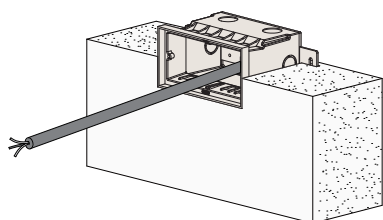
#### Recessed Sleeve Material:

PC/ABS ALLOYS

Light Source:	7×0.5W
Input Voltage(v):	240
Operating Current(mA):	25
Consumption(w):	4.6
Luminance(lm):	137
IK:	10

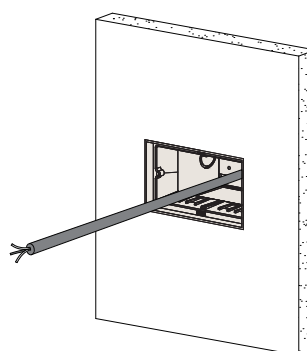
### 3. Installation steps

#### Step 1



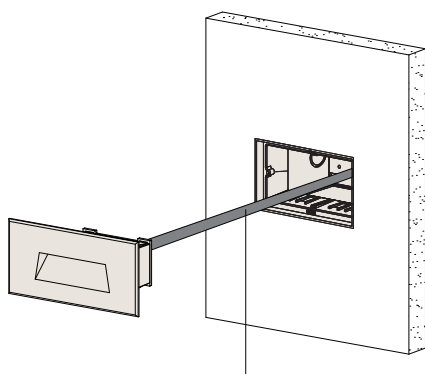
Secure the recessed sleeve

#### Step 2



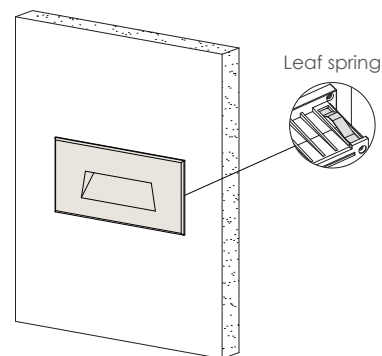
Finish the installation of concrete surface materials

#### Step 3



Connect the power cable

#### Step 4



Install the light fixture on the wall

#### Kapego company limited

TEL:+86 076983997830  
 FAX:+86 076983997833  
 Email:sales@kapego.com  
 Website:www.kapego.com  
 East changle Road, Yuning industrial district.  
 Hengli, Dongguang, guangdong, China 523478

