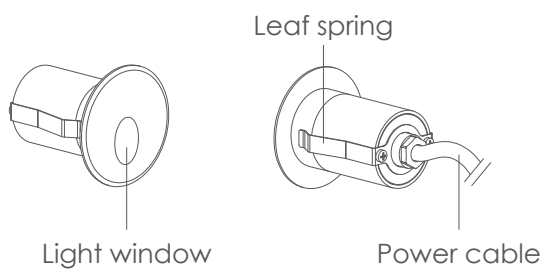


B1TR0157

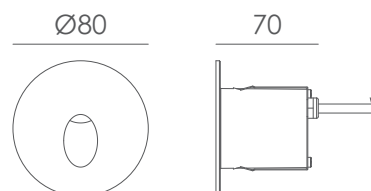
Stainless Steel Front Shade Recessed Wall Light

1. Exterior details

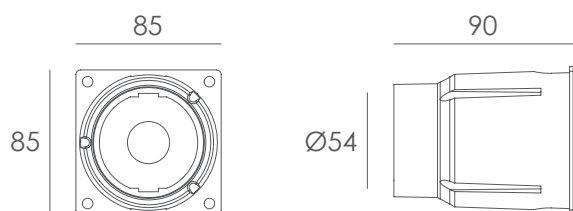
1.1 Luminaire



1.2 Dimension (mm)



1.3 Recessed sleeve (188#)



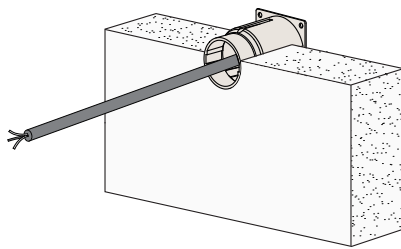
2. Datasheet

Front Cover:	Molding shaped stainless-steel SUS 316
Housing:	12# Die-casting RAL9005 powder coated aluminum
Gasket:	Molding shaped silicone seal
LED Driver:	Constant Voltage Input, Constant Current Output
Operating Temperature:	-20°C~40°C
Power Cable:	H05RN-F 3×1.0mm ² , L=0.3m
Recessed Sleeve Material:	PC/ABS ALLOYS

Light Source:	1×2W
Beam Angle:	50°
Input Voltage(v):	240
Operating Current(mA):	28
Consumption(w):	3.3
Luminance(lm):	186
IK:	10

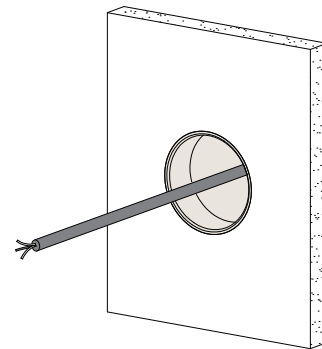
3. Installation steps

Step 1



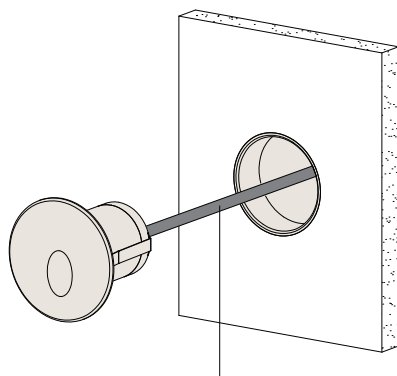
Secure the recessed sleeve

Step 2



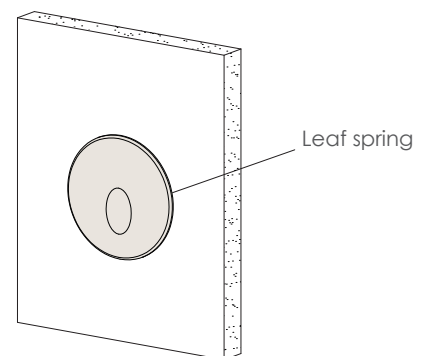
Finish the installation of concrete surface materials

Step 3



Connect the power cable

Step 4



Install the light fixture on the wall

Kapego company limited

TEL:+86 076983997830
 FAX:+86 076983997833
 Email:sales@kapego.com
 Website:www.kapego.com
 East changle Road, Yuning industrial district.
 Hengli, Dongguang, guangdong, China 523478

