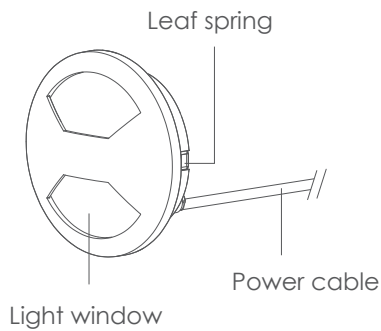


D1KW3032

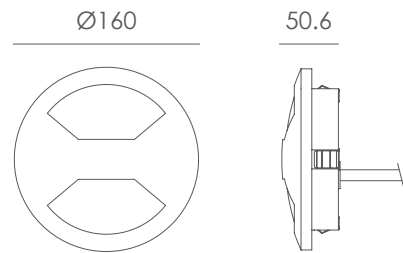
Landscape Recessed Wall Light

1. Exterior details

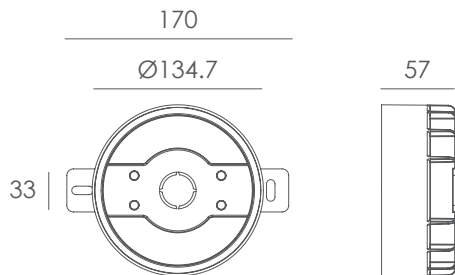
1.1 Luminaire



1.2 Dimension (mm)



1.3 Recessed sleeve (148#)



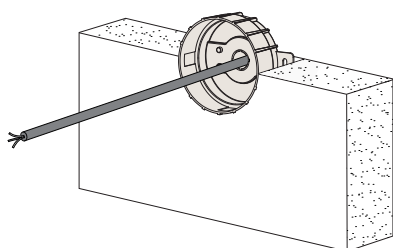
2. Datasheet

Housing:	12# Die-casting RAL9005 powder coated aluminum. T=60-80µm. Adhesion of ISO class 1/ASTM class 4B
Light Window:	UVstop & Fireproof PC T=2.5mm
Cable Gland:	IP67 copper and nicked coated
Gasket:	Waterproof silicone gasket
Driver:	Built in on/off driver
LED Driver:	Constant Voltage Input, Constant Current Output
Operating Temperature:	-20°C~40°C
Power Cable:	H05RN-F 3×1.0mm ² , L=0.5m
Recessed Sleeve Material:	PC/ABS ALLOYS

Light Source:	30×0.07W
Input Voltage(v):	240
Operating Current(mA):	14
Consumption(w):	3.2
Luminance(lm):	142
IK:	09

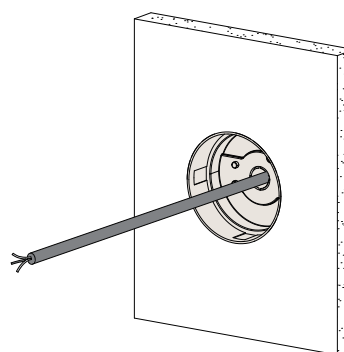
3. Installation steps

Step 1



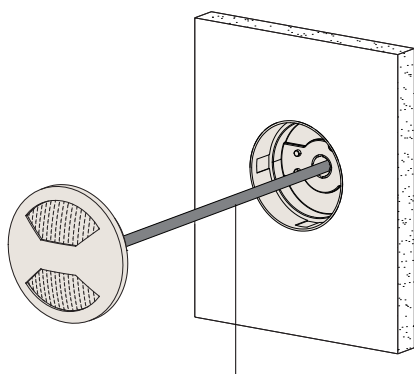
Secure the recessed sleeve

Step 2



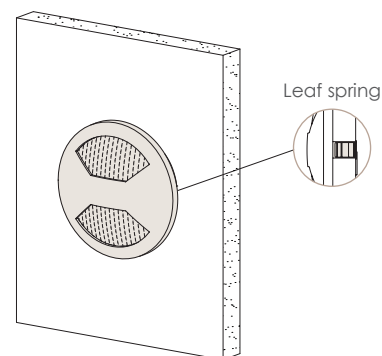
Finish the installation of concrete surface materials

Step 3



Connect the power cable

Step 4



Install the light fixture on the wall

Kapego company limited

TEL:+86 076983997830
 FAX:+86 076983997833
 Email:sales@kapego.com
 Website:www.kapego.com
 East change Road, Yuning industrial district.
 Hengli, Dongguang, guangdong, China 523478

