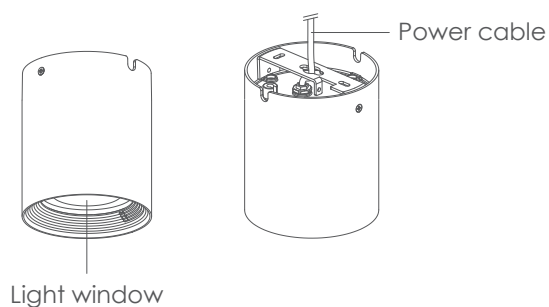


B8EK0174

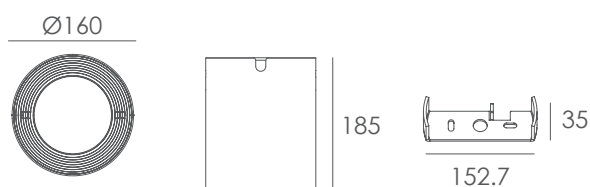
Wall Mounting Ceiling Down Light

1. Exterior details

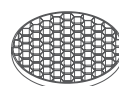
1.1 Luminaire



1.2 Dimension (mm)



1.3 Honeycomb louver (Option)



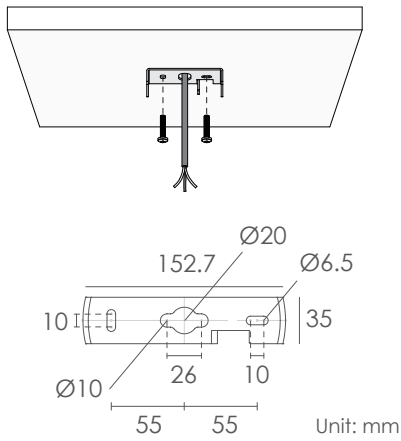
2. Datasheet

Housing:	Extruded aluminum alloy #6063
Painting:	Powder coating, T= 60~80 μm . Adhesion of ISO class 1/ASTM class 4B
Light Window:	Glass T=3mm
Reflector:	OPTICS reflector. efficiency \geq 85%
Power Cable:	H05RN-F 3 \times 1.0mm ² , L=0.3m
Operating Temperature:	-20°C~40°C

Light Source:	1 \times 30W
Beam Angle:	60°
Input Voltage(v):	240
Operating Current(mA):	151
Consumption(w):	34.2
Luminance(lm):	2851
IK:	06

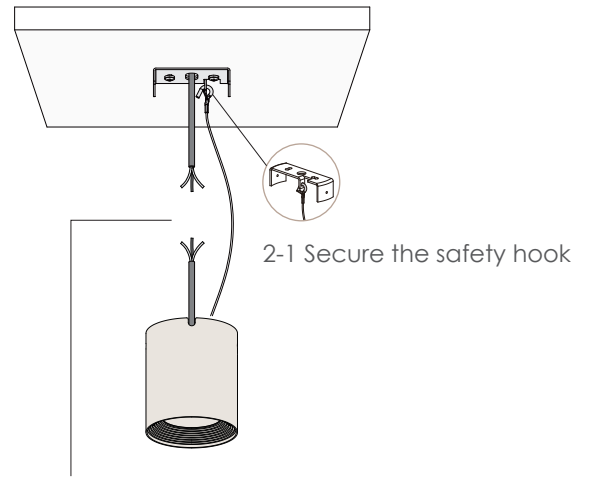
3. Concealed Wiring Installation

Step 1

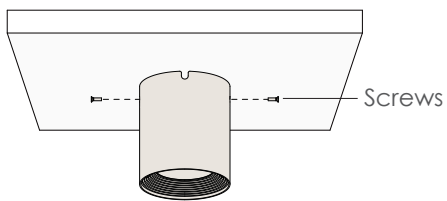


Secure the bracket

Step 2



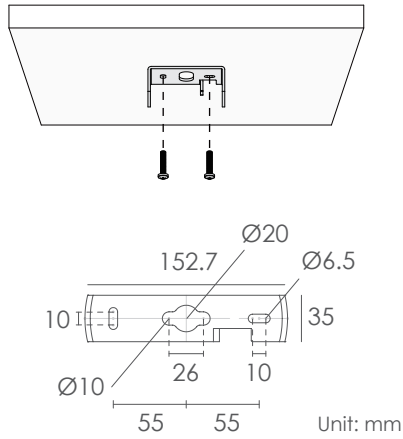
Step 3



Secure the light fixture

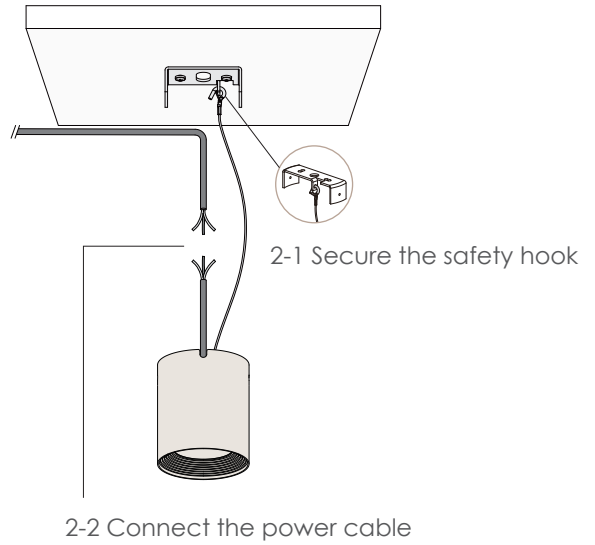
4. Open Wiring Installation

Step 1

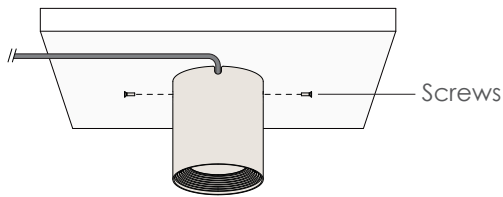


Secure the bracket

Step 2



Step 3



Secure the light fixture

Kapego company limited

TEL:+86 076983997830
FAX:+86 076983997833
Email:sales@kapego.com
Website:www.kapego.com
East changle Road, Yuning industrial district.
Hengli, Dongguang, guangdong, China 523478

