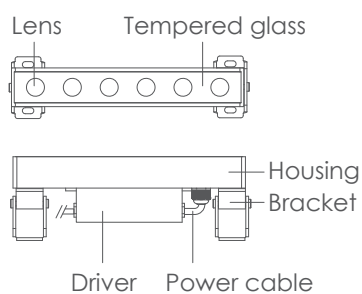


B6KD0657

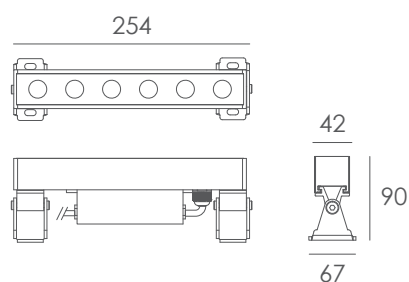
Slim Type LED Linear Wall Washer

1. Exterior details

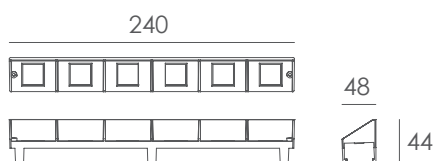
1.1 Luminaire



1.2 Dimension (mm)



1.3 Anti glare louver (Optional)



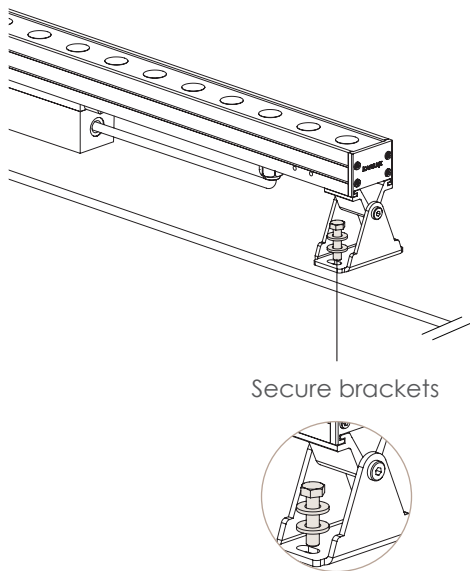
2. Datasheet

Housing:	Extruded aluminum anodized finishing
Bracket:	Aluminum anodized finishing
Light Window:	Tempered glass.T=4mm
Lens:	OPTICS lens.efficiency≥85%
Gasket:	Glass and housing are silicone sealed
Operating Temperature:	-20°C~40°C
Power Cable:	H05RN-F 3×1.0mm ² , L=0.5m

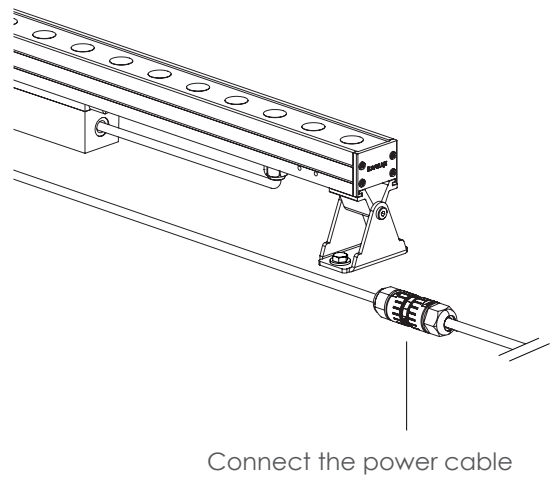
Light Source:	6×1.8W
Beam Angle:	20°
Input Voltage(v):	240
Operating Current(mA):	50
Consumption(w):	11.2
Luminance(lm):	700
IK:	06

3. Installation steps

Step 1



Step 2



Kapego company limited

TEL:+86 076983997830
 FAX:+86 076983997833
 Email:sales@kapego.com
 Website:www.kapego.com
 East changle Road, Yuning industrial district.
 Hengli, Dongguang, guangdong, China 523478

