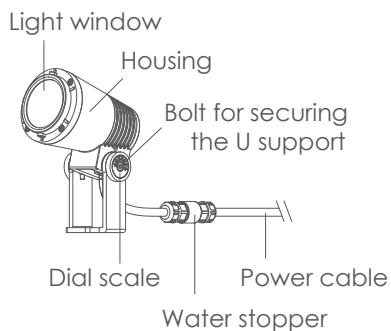


R3EJU0126

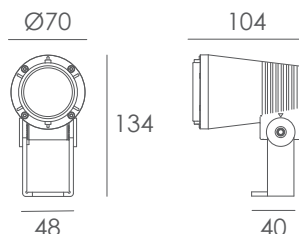
Medium Power Spot Light

1. Exterior details

1.1 Luminaire

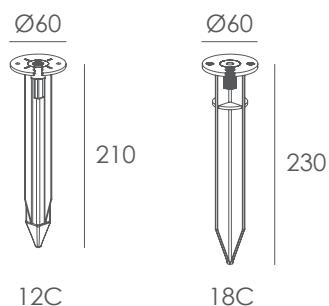


1.2 Dimension (mm)

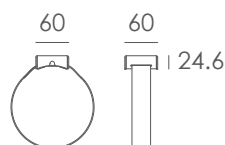


1.3 Optional accessories

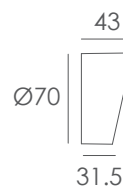
Spike



Tree pole strap



Bevel cut hood



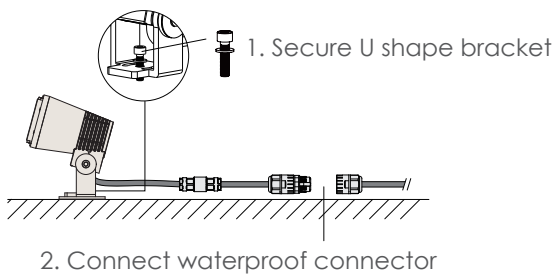
2. Datasheet

Housing:	12# Die-casting aluminum finishing or powder painting T=60-80µm. Adhesion of ISO class 1/ASTM class 4B
Light Window:	Tempered glass. T=3mm
Cable Gland:	IP68 PG-9 PA66
Gasket:	Tooling shaped seal
LED Driver:	Constant Voltage Input, Constant Current Output
Operating Temperature:	-20°C~40°C
Power Cable:	H05RN-F 2×1.0mm ² , L=2.0m

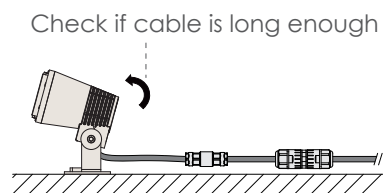
Light Source:	1×6W
Beam Angle:	24°
Input Voltage(v):	DC 24
Operating Current(mA):	320
Consumption(w):	7.5
Luminance(lm):	646
IK:	05

3. Installation steps

Step 1

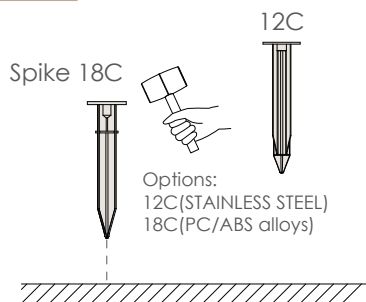


Step 2

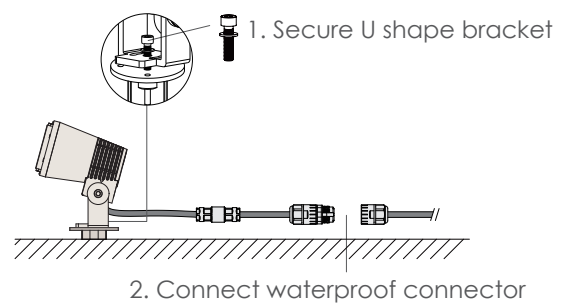


4.1 Accessories assemble - Spike

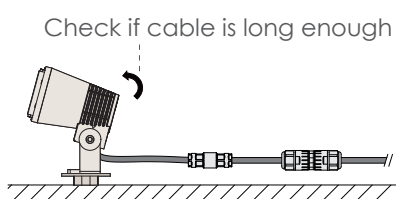
Step 1



Step 2

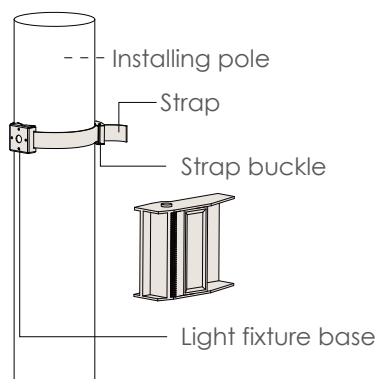


Step 3

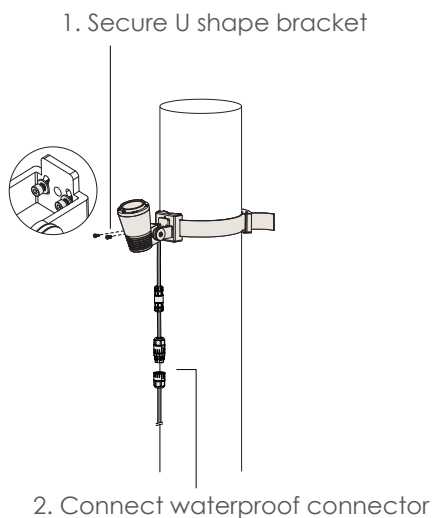


4.2 Accessories assemble - Tree pole strap

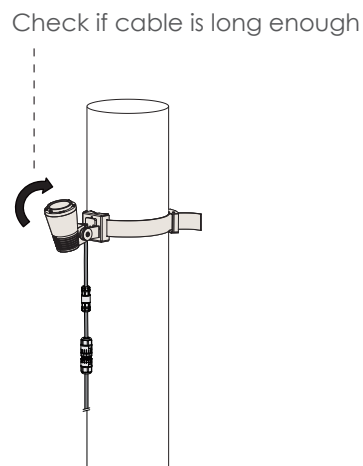
Step 1



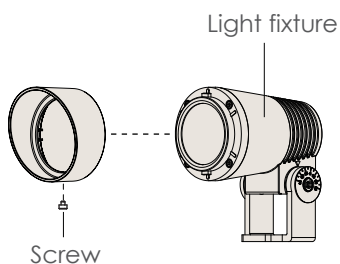
Step 2



Step 3



4.3 Accessories assemble - Bevel cut hood



Kapego company limited

TEL:+86 076983997830
FAX:+86 076983997833
Email:sales@kapego.com
Website:www.kapego.com
East changle Road,Yuning industrial district.
Hengli,Dongguang ,guangdong, China 523478

