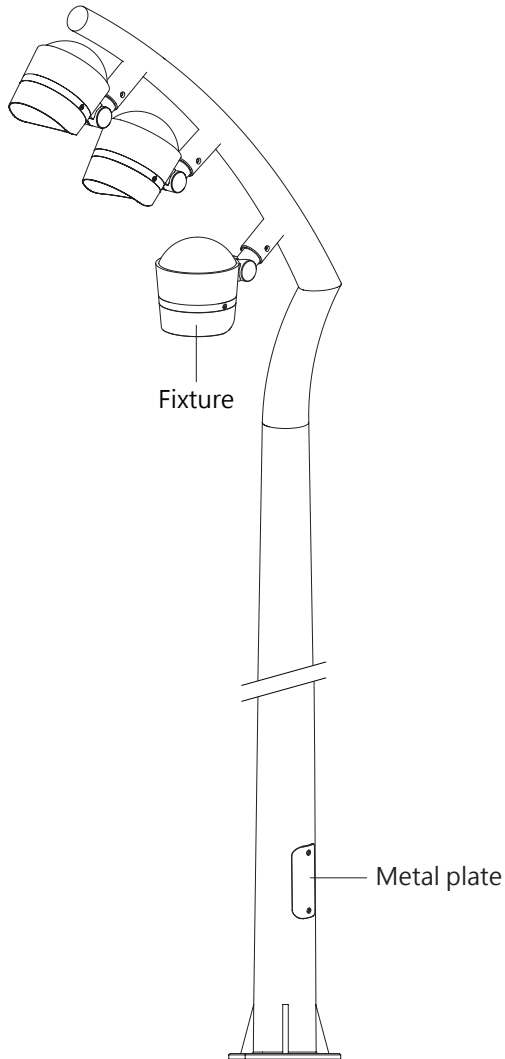


B0BTQ0373

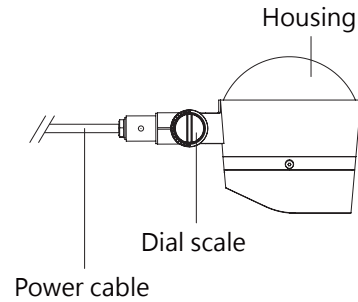
Garden Pole Light

1.Exterior details

1.1 Pole



1.2 Luminaire - B0BTY0173



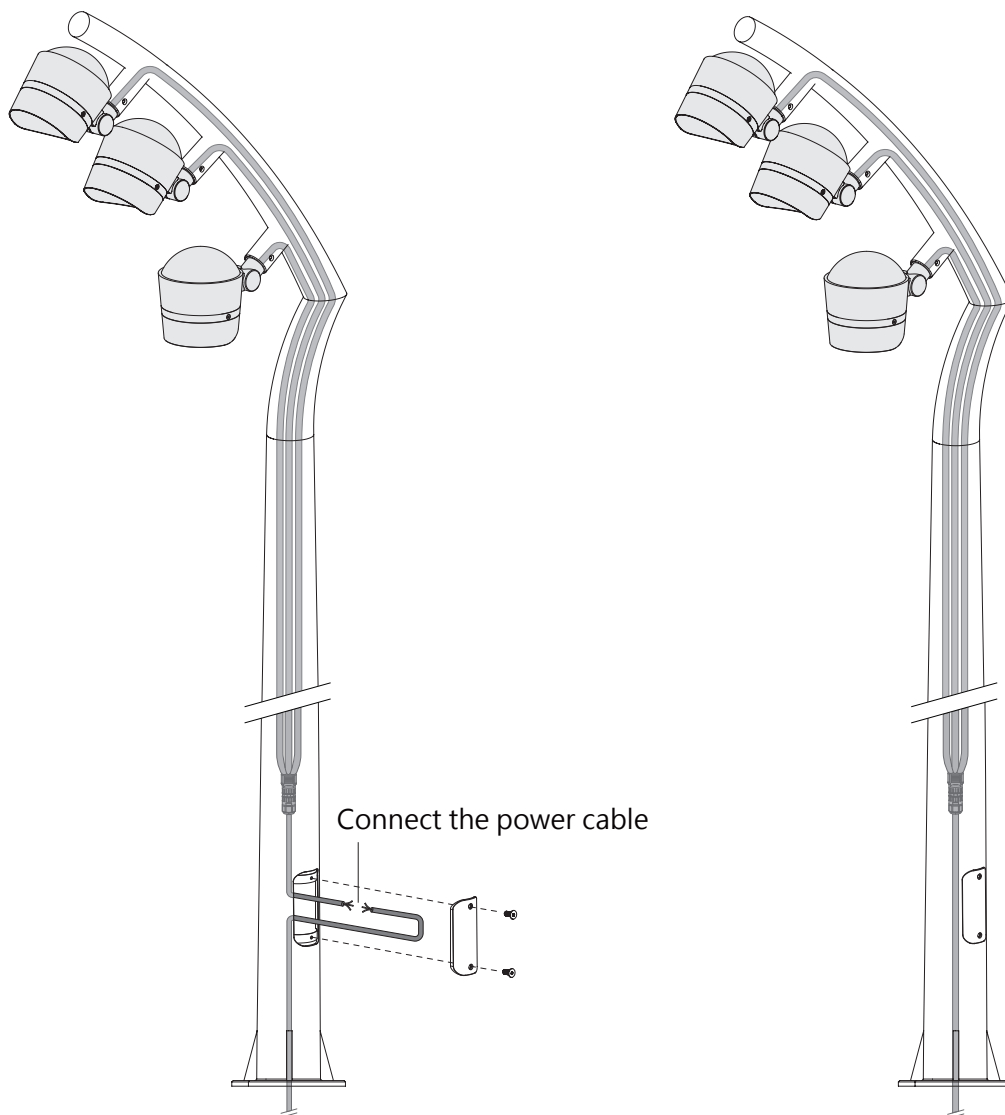
2.Datasheet

Housing:	12# Die-casting aluminum finishing or powder painting T=60-80 μ m. Adhesion of ISO class 1/ASTM class 4B
Light Window:	Tempered Glass.T=3mm
Gasket:	Tooling shaped seal
LED Driver:	Constant Voltage Input, Constant Current Output
Power Cable:	H05RN-F 3x1.0mm ²
Operating Restrict:	Temperature of environment between -20°C~40°C

Light Source:	3×27W
Beam Angle:	60°
Input Voltage(v):	240
Operating Current(mA):	378
Consumption(w):	90
Luminance(lm):	7971
IK:	07

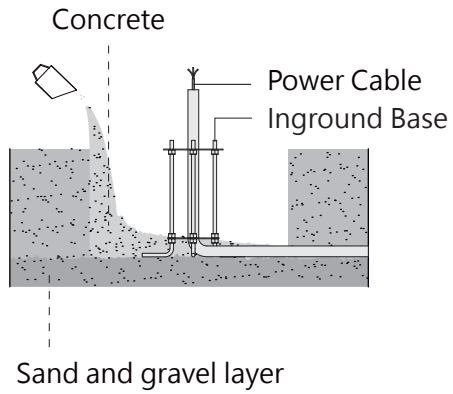
3.Installation

Step 1

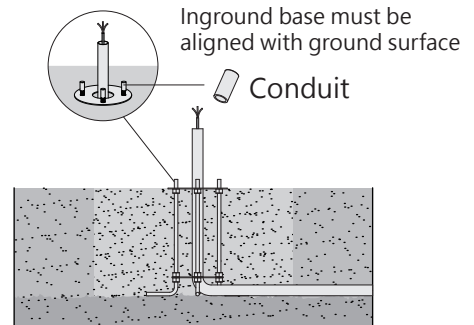


Step 2

2-1 Place the base on the installation surface and pass the conduit containing the reserved power cable through the base



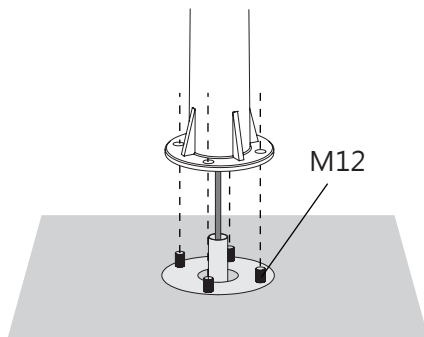
2-2 Pour in cement until it is level with the upper layer of the base



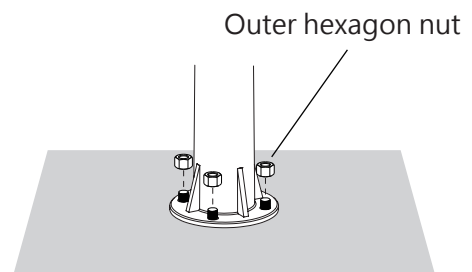
※ Please cover the scre with conduit to protect it from cement

Step 3

3-1 Mount pole on to the screws of inground base



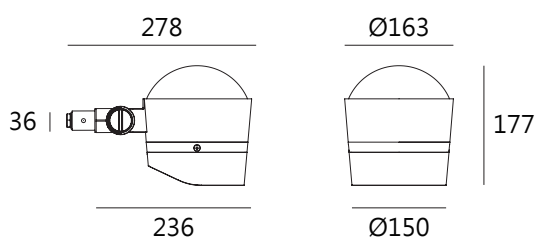
3-2 Use outer hexagon nuts to secure the pole to complete installations



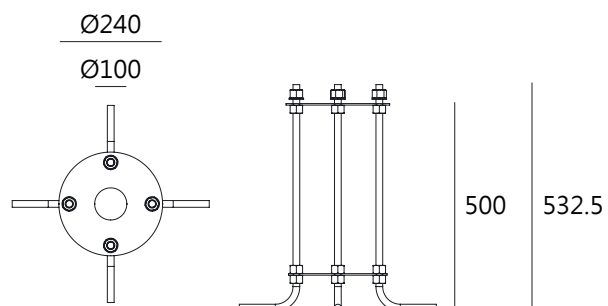
4. Appendix

4.1 External dimension(mm)

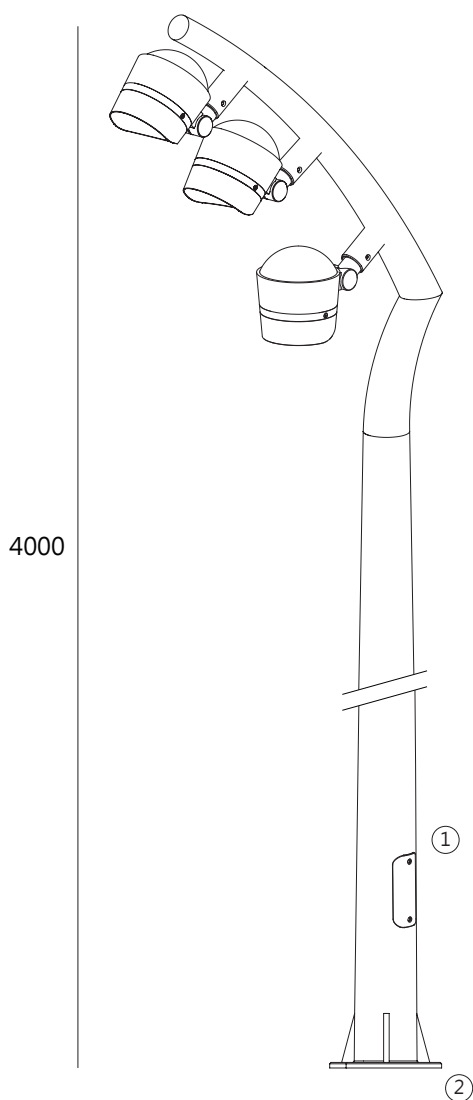
Luminaire - B0BTY0173



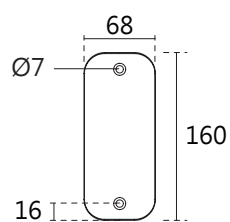
Inground Base (Option)



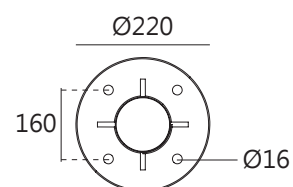
Pole



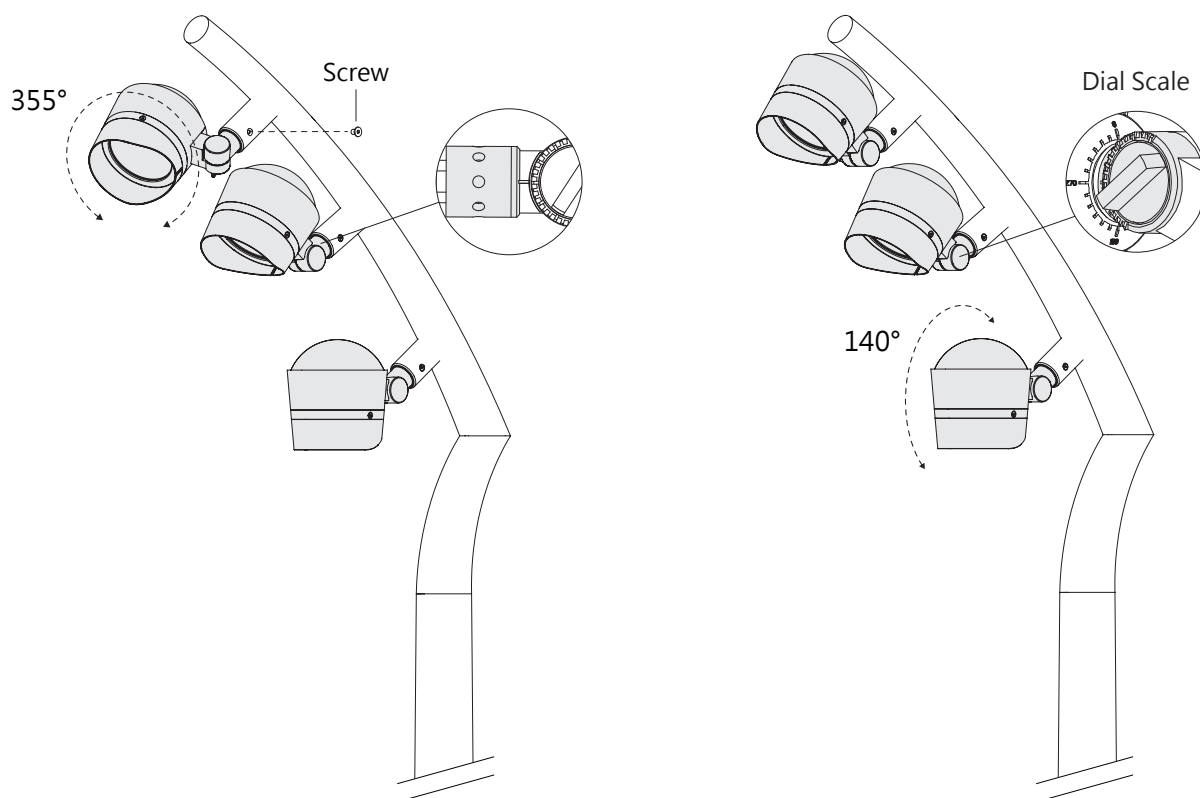
① Metal plate



② Flange



4.2 Adjust fixtures



Kapego company limited

TEL: +86 076983997830

FAX: +86 076983997833

Email: sales@kapego.com

Website: www.kapego.com

East changle Road, Yuning industrial district.

Hengli, Dongguang, Guangdong, China

523478

