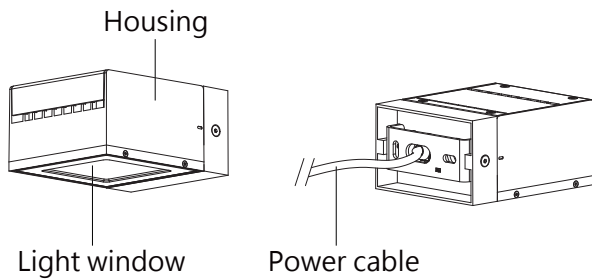


C7FMG1057

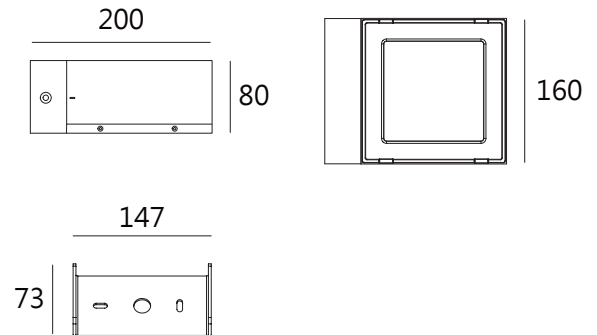
Asymmetrical Wall Washer

1.Exterior details

1.1 Luminaire



1.2 Dimension (mm)

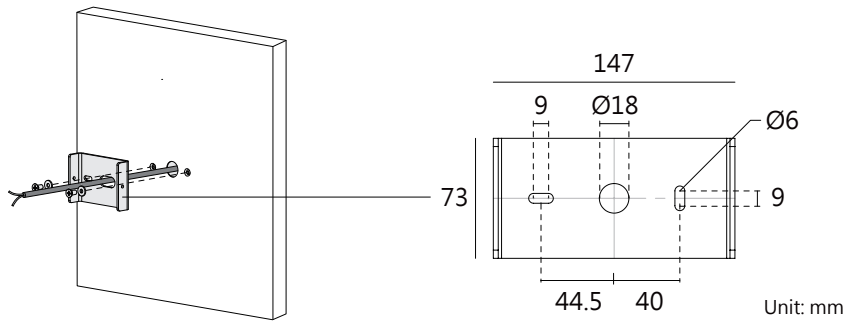


2.Datasheet

Housing:	12# Die-casting aluminum finishing or powder painting T=60-80 μ m.Adhesion of ISO class 1/ASTM class 4B
Light Window:	Tempered glass T=3mm
Cable Gland:	IP68 PG-9 PA66
Gasket:	Tooling shaped seal
LED Driver:	Constant Voltage Input, Constant Current Output
Operating Temperature:	-20°C~40°C
Power Cable:	H05RN-F 2 \times 1.0mm ² , L=0.3m
Light Source:	10 \times 1.8W
Beam Angle:	79 \times 49°
Input Voltage(v):	DC 24
Operating Current(mA):	750
Consumption(w):	18
Luminance(lm):	1533
IK:	06

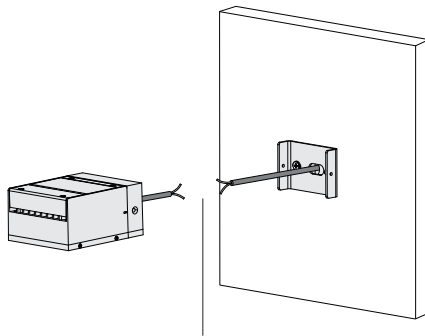
3.Installation steps

Step 1



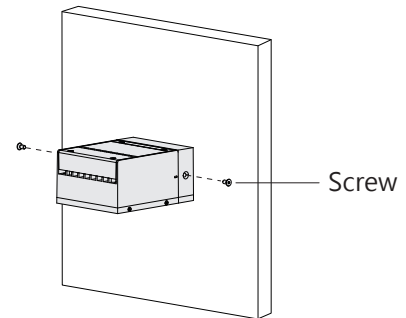
Secure the wall bracket

Step 2



Connect the power cable

Step 3



Install the light fixture on the wall

Kapego company limited

TEL: +86 076983997830

FAX: +86 076983997833

Email: sales@kapego.com

Website: www.kapego.com

East changle Road, Yuning industrial district.

Hengli, Dongguang, Guangdong, China

523478

