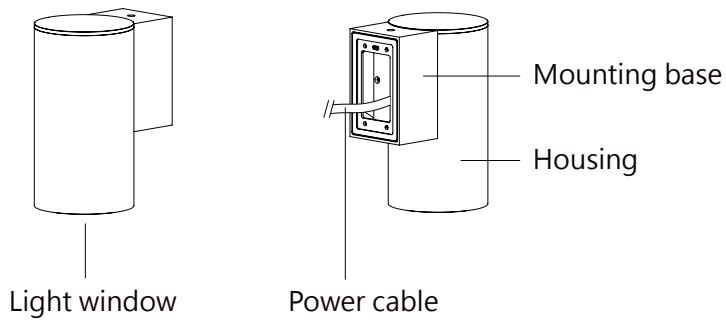


R7CH0173

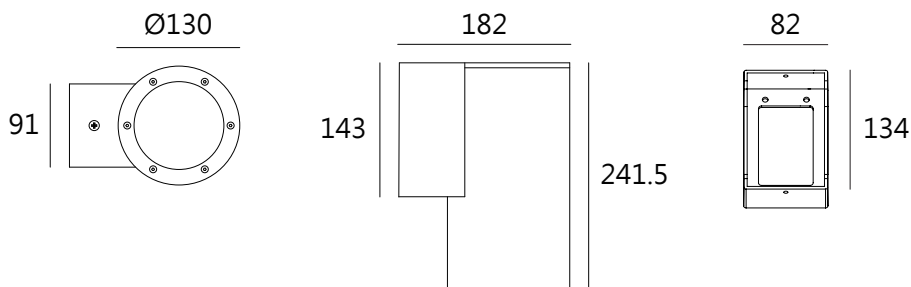
Surface Mounting Wall Light

1.Exterior details

1.1 Luminaire



1.2 Dimension (mm)



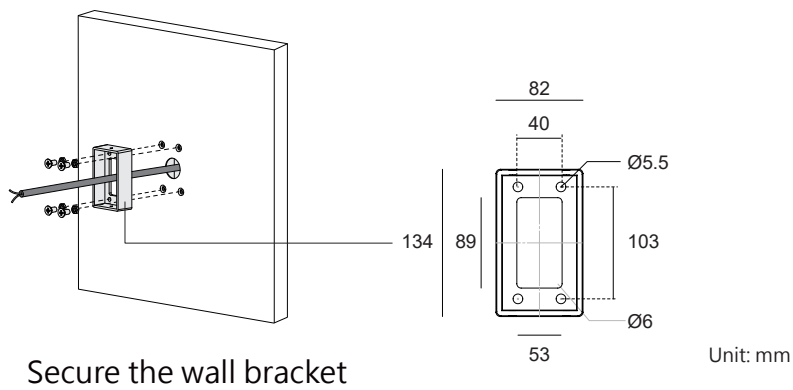
2.Datasheet

Housing:	Extruded aluminum alloy #6063
Painting:	Powder coating ,T= 60-80 μm . Adhesion of ISOclass 1/ASTM class 4B
Reflector:	OPTICS reflector. efficiency \geq 85%
Operating Temperature:	-20°C~40°C
Power Cable:	H05RN-F 2 \times 1.0mm ² , L=0.3m

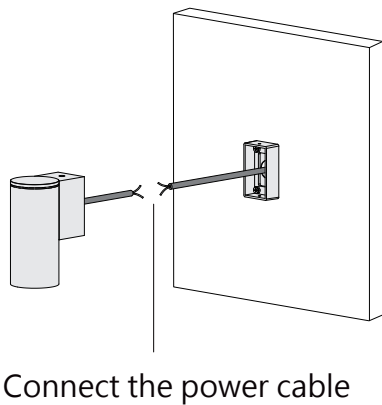
Light Source: 1×25W
 Beam Angle: 22°
 Input Voltage(v): DC 24
 Operating Current(mA): 1080
 Consumption(w): 26
 Luminance(lm): 2967
 IK: 10

3.Installation steps

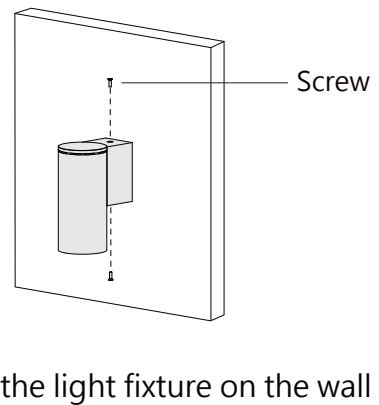
Step 1



Step 2



Step 3



Kapego company limited

TEL:+86 076983997830

FAX:+86 076983997833

Email:sales@kapego.com

Website:www.kapego.com

East changle Road,Yuning industrial district.

Hengli,Dongguang ,guangdong,China

523478

