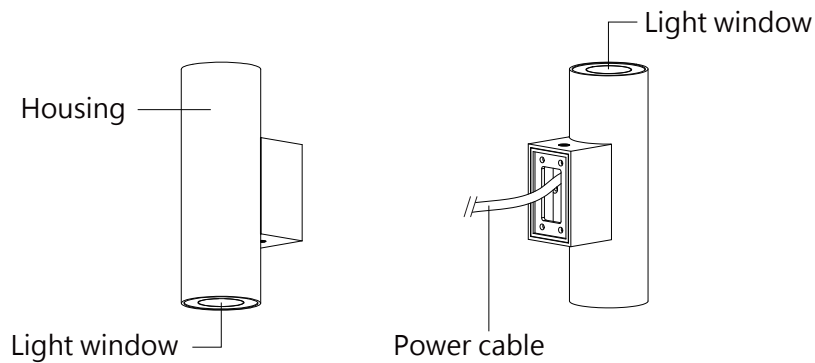


R7BH0229 A

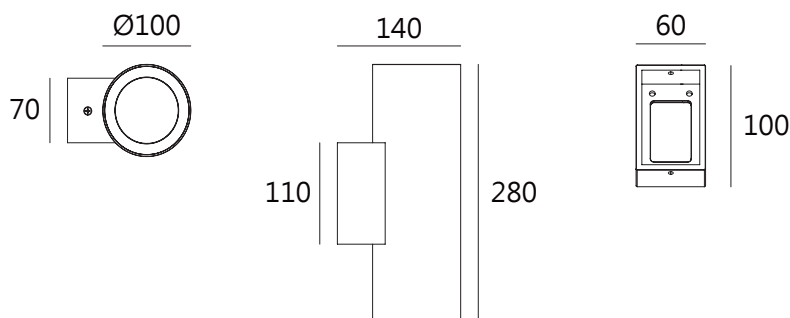
Surface Mounting Wall Light

1.Exterior details

1.1 Luminaire



1.2 Dimension (mm)



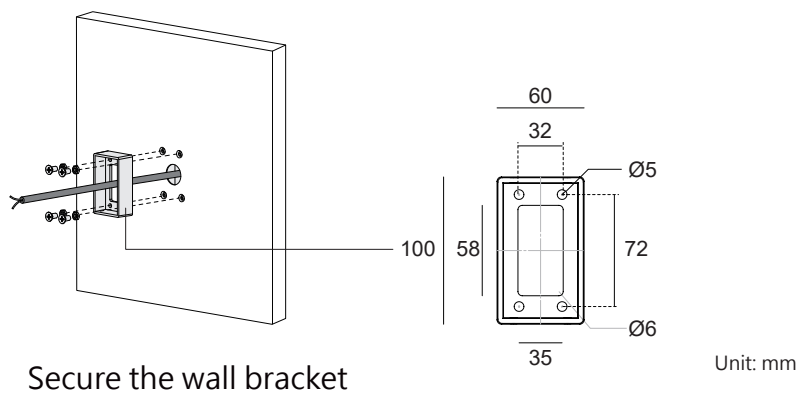
2.Datasheet

Housing Material:	ADC12# Die-casting Aluminum
Painting:	Powder coating, T=60-80 μ m. Adhesion of ISO class 1/ASTM class 4B
Reflector:	OPTICS reflector. efficiency \geq 85%
Operating Temperature:	-20 $^{\circ}$ C~40 $^{\circ}$ C
Power Cable:	H05RN-F 2 \times 1.0mm ² , L=0.3m

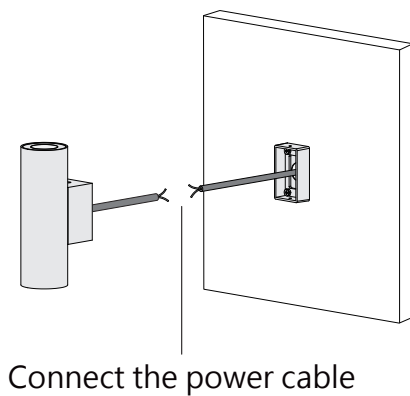
Light Source: 2×12W
 Beam Angle: 32°
 Input Voltage(v): DC 24
 Operating Current(mA): 1080
 Consumption(w): 26
 Luminance(lm): 1079×2
 IK: 10

3.Installation steps

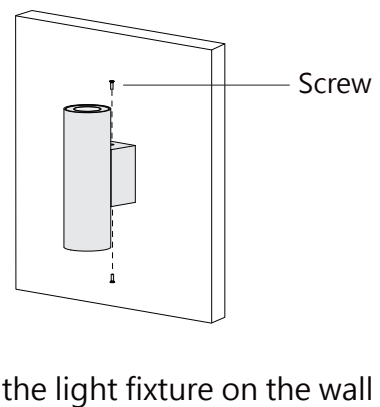
Step 1



Step 2



Step 3



Kapego company limited

TEL:+86 076983997830

FAX:+86 076983997833

Email:sales@kapego.com

Website:www.kapego.com

East changle Road,Yuning industrial district.

Hengli,Dongguang ,guangdong,China

523478

