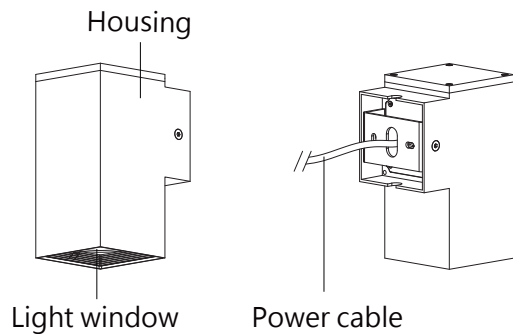


R7WE0170 A

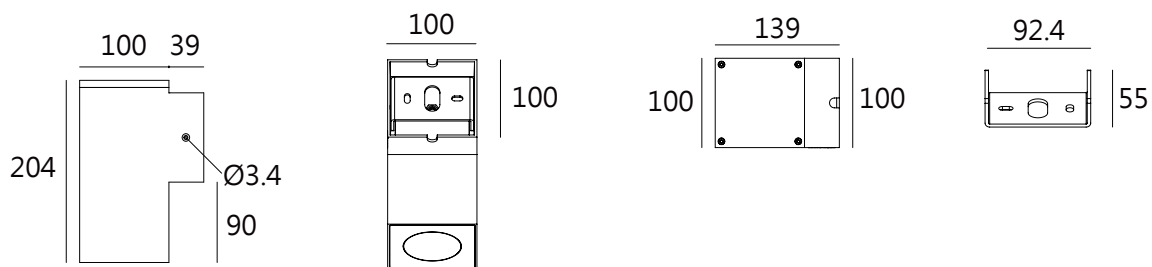
Surface Mounting Wall Light

1.Exterior details

1.1 Luminaire



1.2 Dimension (mm)

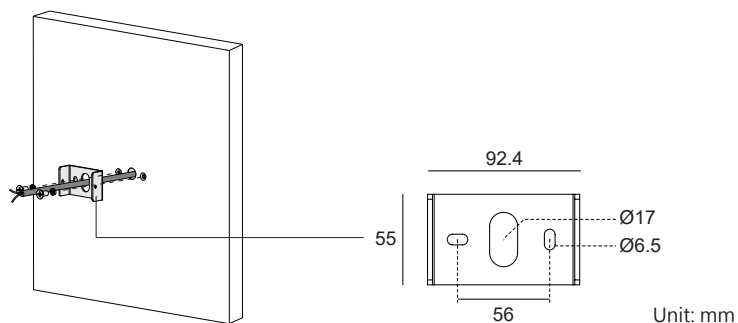


2.Datasheet

Housing:	12# Die-casting aluminum finishing or powder painting T=60-80 μm . Adhesion of ISO class 1/ASTM class 4B
Light Window:	PC
Gasket:	Tooling shaped seal
LED Driver:	Constant voltage input, constant current output
Operating Temperature:	-20 $^{\circ}\text{C}$ ~40 $^{\circ}\text{C}$
Power Cable:	H05RN-F 2 \times 1.0mm ² , L=0.3m
Light Source:	1 \times 18W
Beam Angle:	18 $^{\circ}$
Input Voltage(v):	DC 24
Operating Current(mA):	800
Consumption(w):	19.2
Luminance(lm):	1840
IK:	05

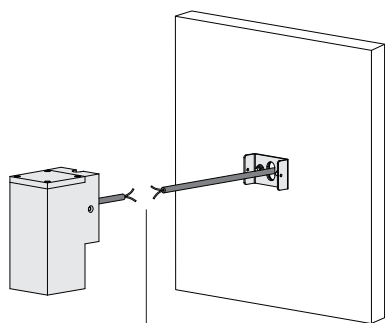
3. Concealed Wiring Installation

Step 1



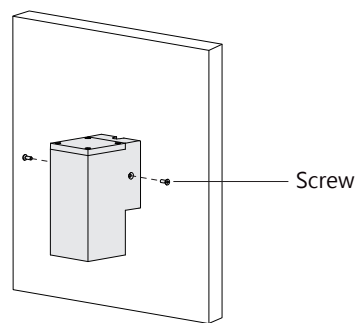
Secure the wall bracket

Step 2



Connect the power cable

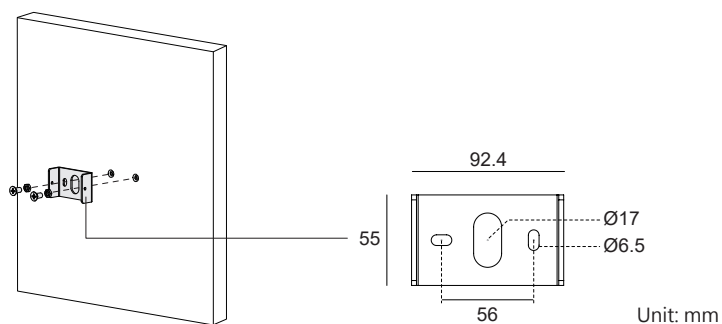
Step 3



Install the light fixture on the wall

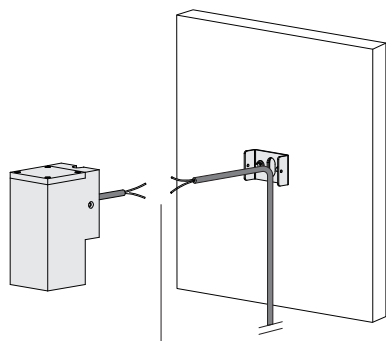
4. Open Wiring Installation

Step 1



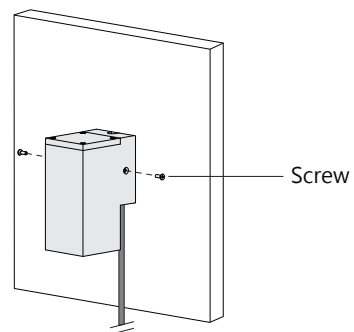
Secure the wall bracket

Step 2



Connect the power cable

Step 3



Install the light fixture on the wall

Kapego company limited

TEL: +86 076983997830

FAX: +86 076983997833

Email: sales@kapego.com

Website: www.kapego.com

East changle Road, Yuning industrial district.

Hengli, Dongguang, Guangdong, China

523478

