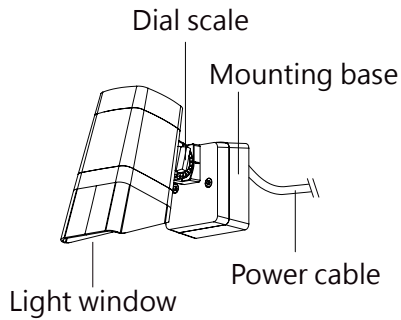


B7DWM0169

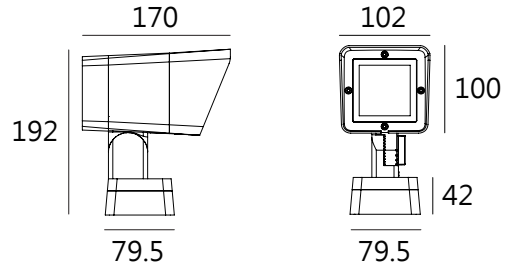
Surface Mounting Wall Light

1.Exterior details

1.1.1 Luminaire

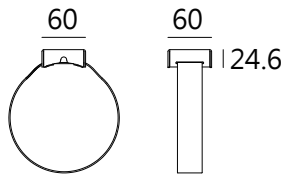


1.1.2 Dimension (mm)



1.2 Accessories (Optional)

Tree pole strap



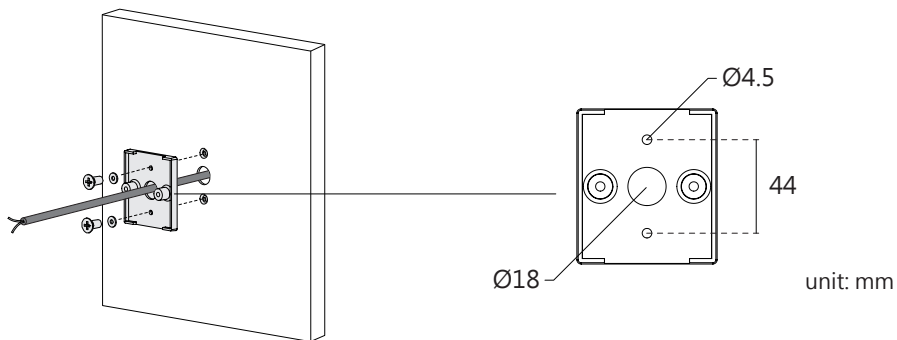
2.Datasheet

Housing:	12# Die-casting aluminum finishing or powder painting T=60-80 μ m.Adhesion of ISO class 1/ASTM class 4B
Light Window:	Tempered glass.T=3mm
Cable Gland:	IP68 PG-9 PA66
Gasket:	Tooling shaped seal
LED Driver:	Constant voltage input, constant current output
Operating Temperature:	-20 $^{\circ}$ C ~40 $^{\circ}$ C
Power Cable:	H05RN-F 2 \times 1.0mm ² , L=0.3m

Light Source: 1×14W
Beam Angle: 24°
Input Voltage(v): DC 24
Operating Current(mA): 795
Consumption(w): 19
Luminance(lm): 1424
IK: 06

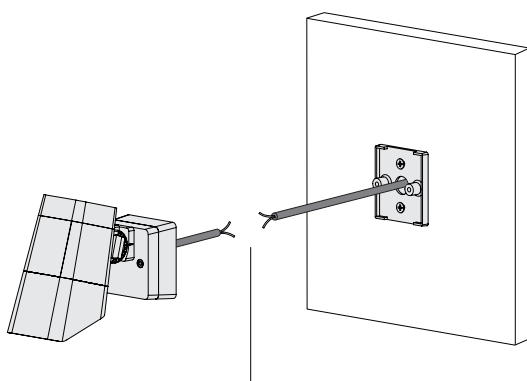
3.Installation steps

Step 1



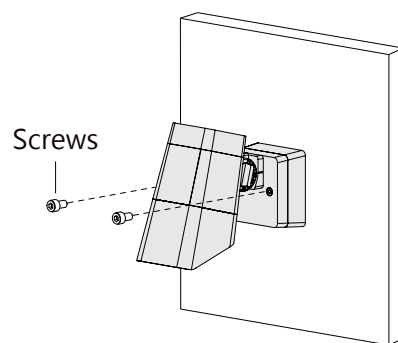
Secure the wall bracket

Step 2



Connect the power cable

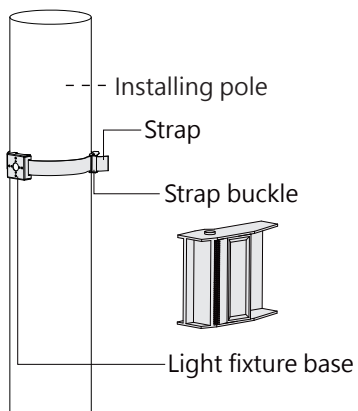
Step 3



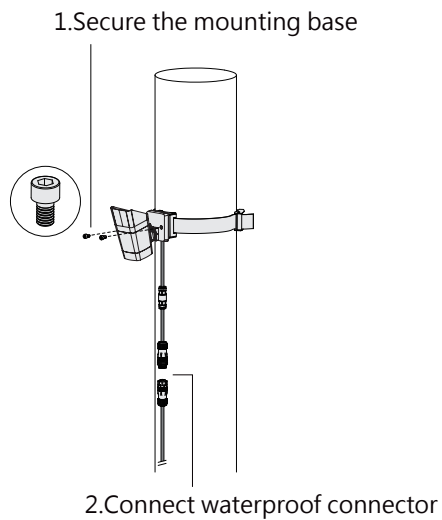
Install the light fixture on the wall

4. Accessories assemble

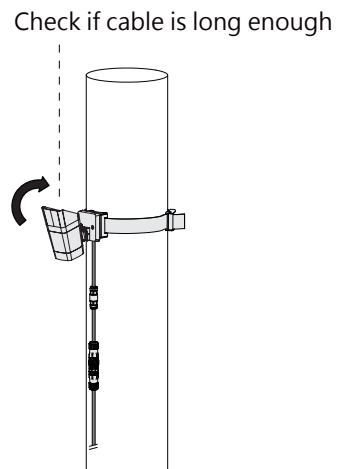
Step 1



Step 2



Step 3



Kapego company limited

TEL: +86 076983997830

FAX: +86 076983997833

Email: sales@kapego.com

Website: www.kapego.com

East changle Road, Yuning industrial district.

Hengli, Dongguang, Guangdong, China

523478

