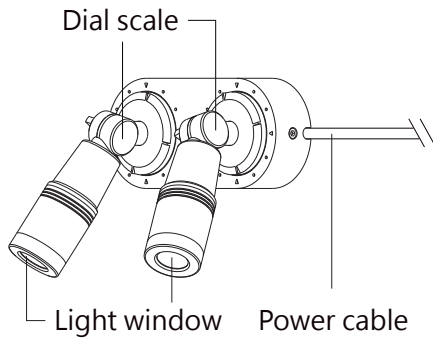


# B7AEX0269

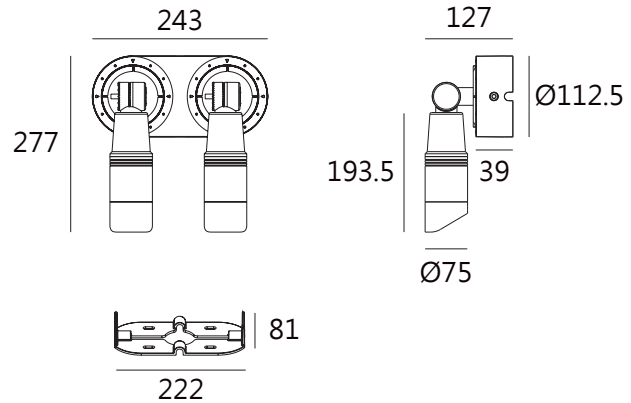
## Surface Mounting Wall Light

### 1.Exterior details

#### 1.1 Luminaire



#### 1.2 Dimension (mm)

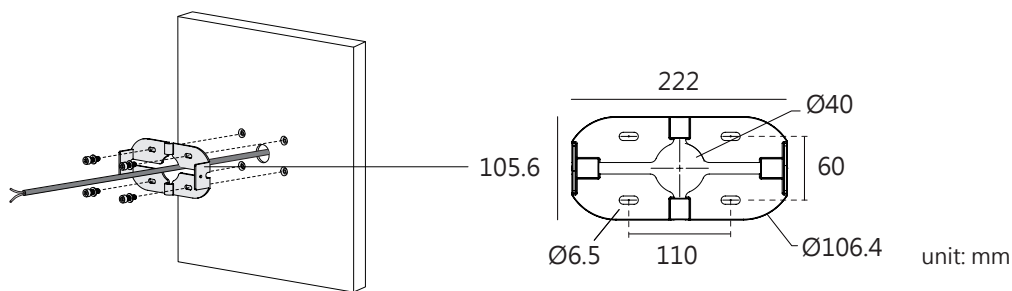


### 2.Datasheet

Front Cover & Housing:	12# Die-casting aluminum finishing or powder painting T=60-80µm. Adhesion of ISO class 1/ASTM class 4B
Lens:	OPTICS lens, efficiency≥85%
Light Window:	Tempered glass. T=3mm
Cable Gland:	Nickel coated copper
Gasket:	Tooling shaped seal
PCB:	Excellent heat conductivity aluminum, coefficient of heat Conductivity≥2.0w/mk
LED Driver:	Constant Voltage Input, Constant Current Output
Operating Temperature:	-20°C~40°C
Power Cable:	H05RN-F 2×1.0mm <sup>2</sup> , L=0.4m
Light Source:	2×14W
Beam Angle:	38°
Input Voltage(v):	DC 24
Operating Current(mA):	1278
Consumption(w):	30.6
Luminance(lm):	1689×2
IK:	05

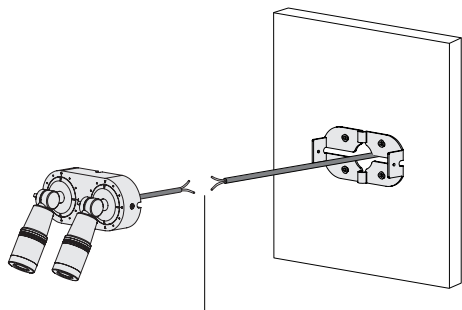
### 3. Concealed Wiring Installation

Step 1



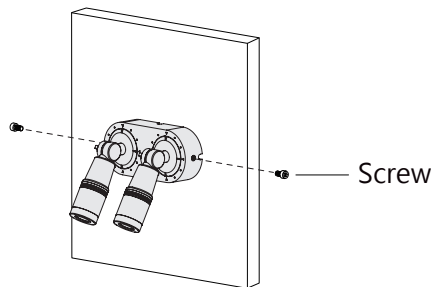
Secure the wall bracket

Step 2



Connect the power cable

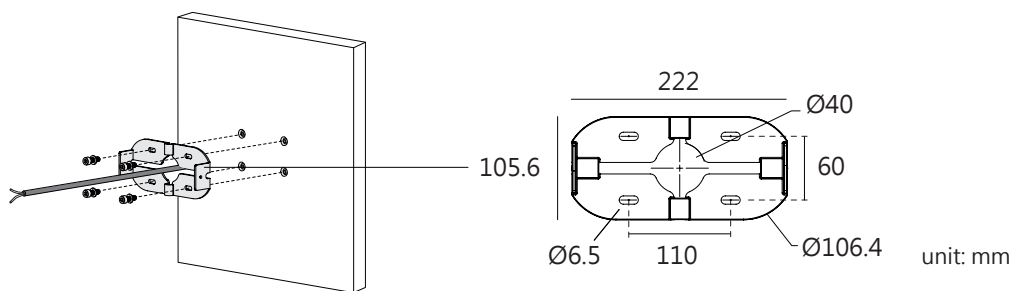
Step 3



Install the light fixture on the wall

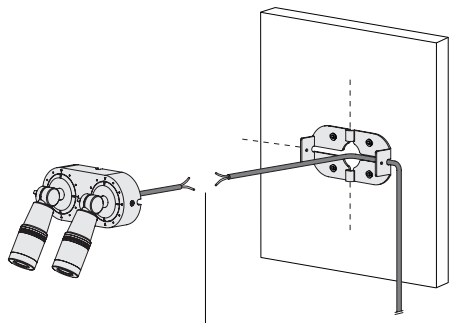
### 4. Open Wiring Installation

Step 1



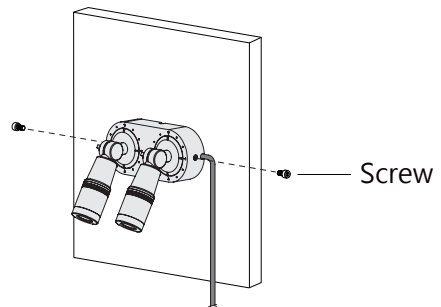
Secure the wall bracket

## Step 2



Connect the power cable

## Step 3



Install the light fixture on the wall

Kapego company limited

TEL:+86 076983997830

FAX:+86 076983997833

Email:sales@kapego.com

Website:www.kapego.com

East changle Road,Yuning industrial district.

Hengli,Dongguang ,guangdong,China

523478

