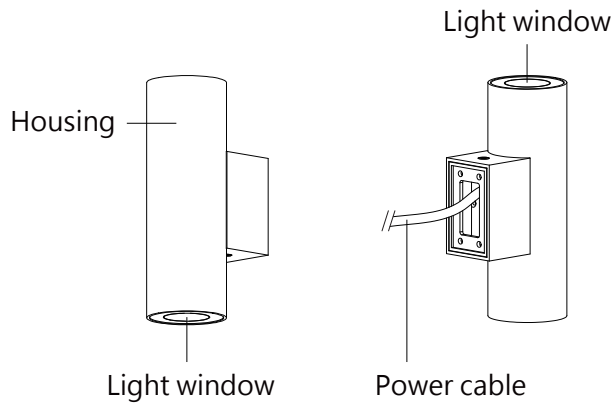


B7DH0224

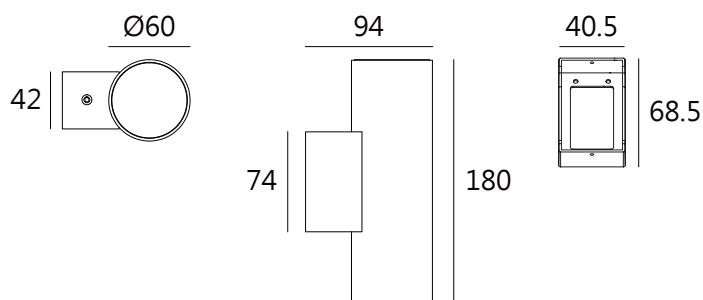
Surface Mounting Wall Light

1.Exterior details

1.1 Luminaire



1.2 Dimension (mm)



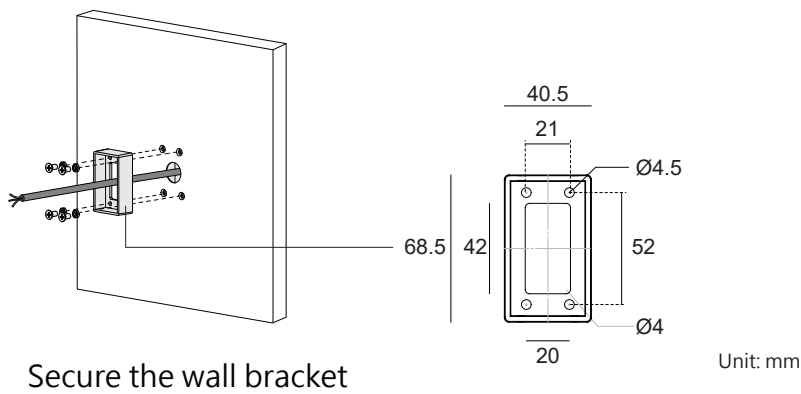
2.Datasheet

Housing:	Extruded aluminum alloy #6063
Painting:	Powder coating ,T= 60-80 μm. Adhesion of ISOclass 1/ASTM class 4B
Reflector:	OPTICS reflector. efficiency≥85%
Operating Temperature:	-20°C~40°C
Power Cable:	H05RN-F 3×1.0mm ² , L=0.3m

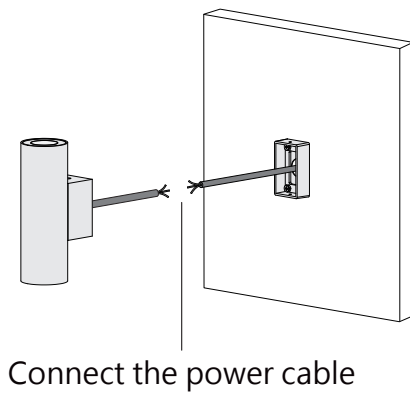
Light Source: 2×4.5W
 Beam Angle: 24°
 Input Voltage(v): 240
 Operating Current(mA): 49
 Consumption(w): 10.7
 Luminance(lm): 282×2
 IK: 05

3.Installation steps

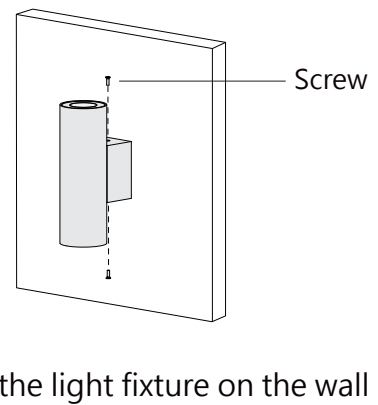
Step 1



Step 2



Step 3



Kapego company limited

TEL: +86 076983997830
 FAX: +86 076983997833
 Email: sales@kapego.com
 Website: www.kapego.com
 East changle Road, Yuning industrial district.
 Hengli, Dongguang, guangdong, China
 523478

